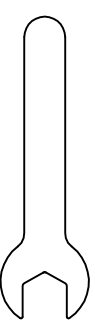
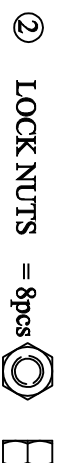
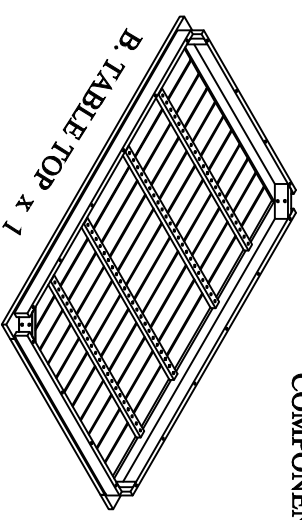
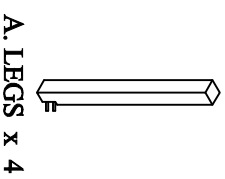
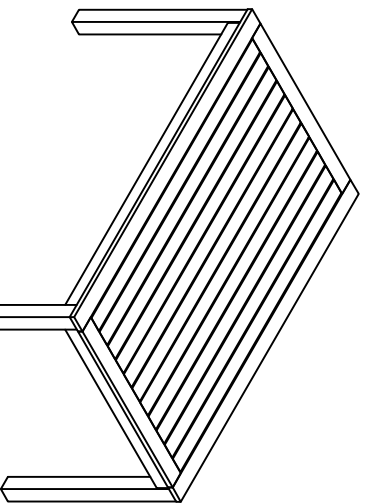


ASSEMBLY INSTRUCTIONS

Service Centre Toll Free No. Tel: 1-800-916-9390
Fax: 1-905-264-1154

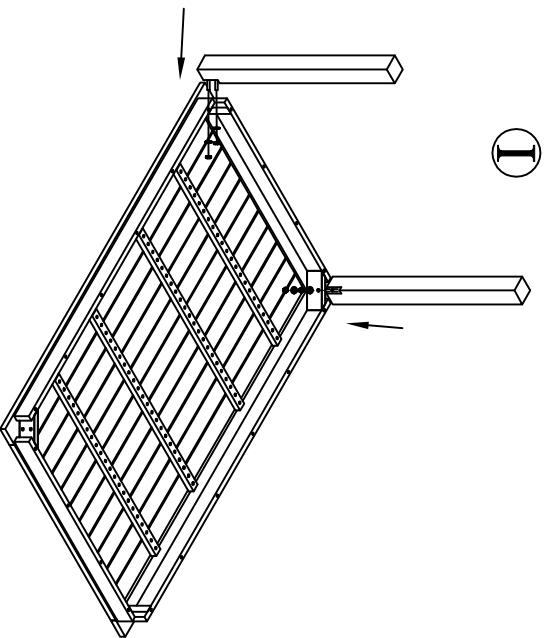
RICHMOND TABLE HUCC31509

COMPONENTS

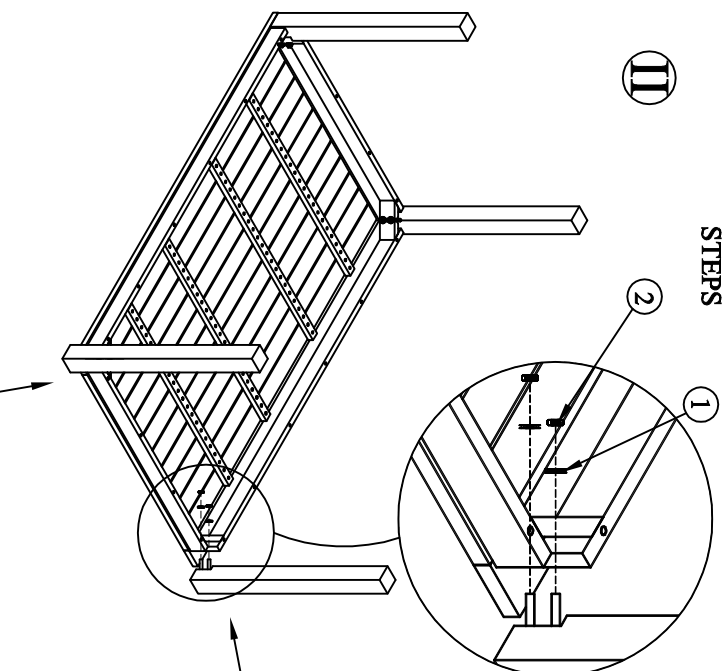


Please make sure that you have all the components needed prior to assembly.
Place all components onto a non-abrasive surface, such as a carpet, in order to protect them from damage during assembly.

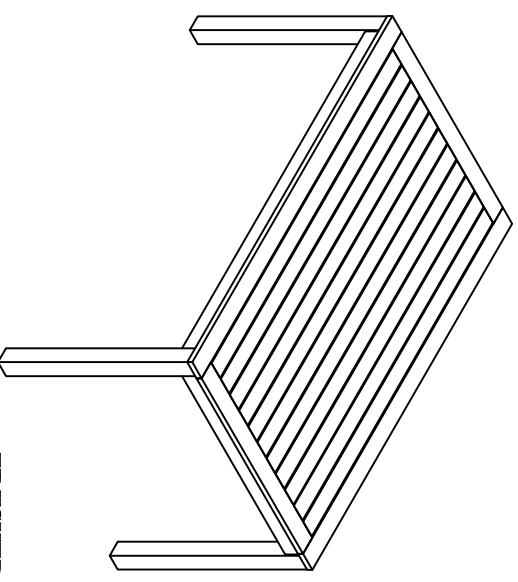
STEPS



II



III



FINISHED

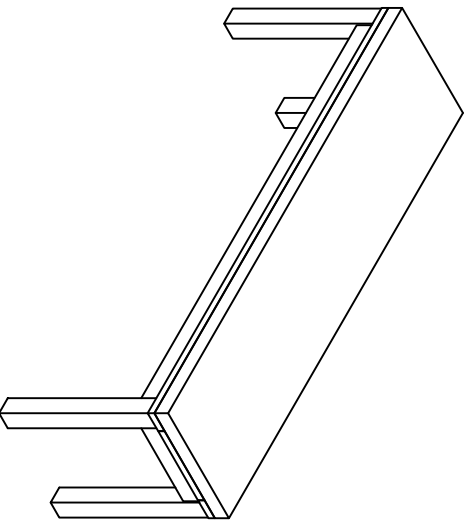
ASSEMBLY INSTRUCTIONS

Service Centre Toll Free No. Tel: 1-800-916-9390
Fax: 1-905-264-1154

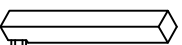
RICHMOND BENCH

HUCC23380

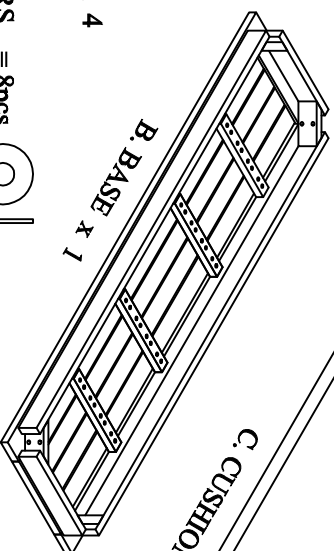
COMPONENTS



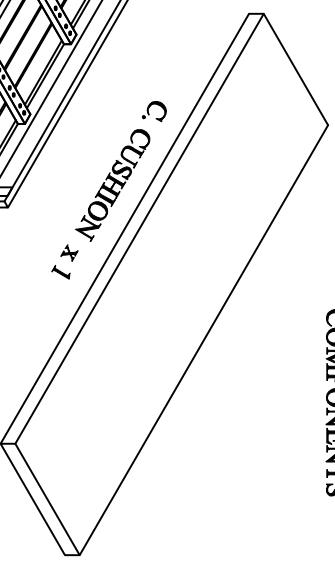
A. LEGS x 4



B. BASE x 1



C. CUSHION x 1



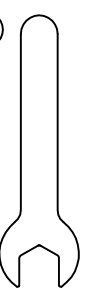
① WASHERS = 8pcs



② LOCK NUTS = 8pcs

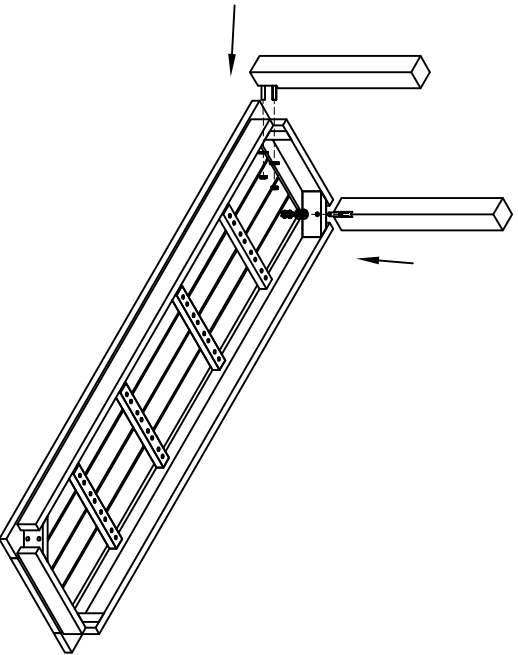


③ KEY = 1pc

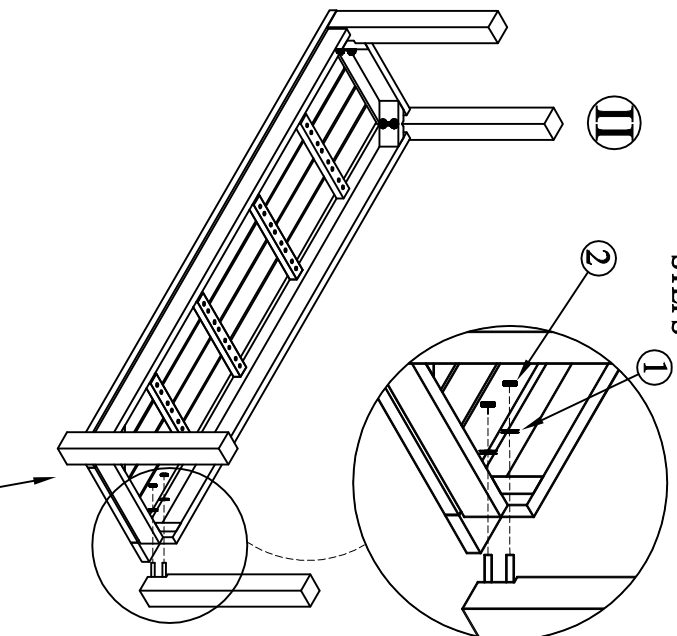


Please make sure that you have all the components needed prior to assembly.
Place all components onto a non-abrasive surface, such as a carpet, in order to protect them from damage during assembly.

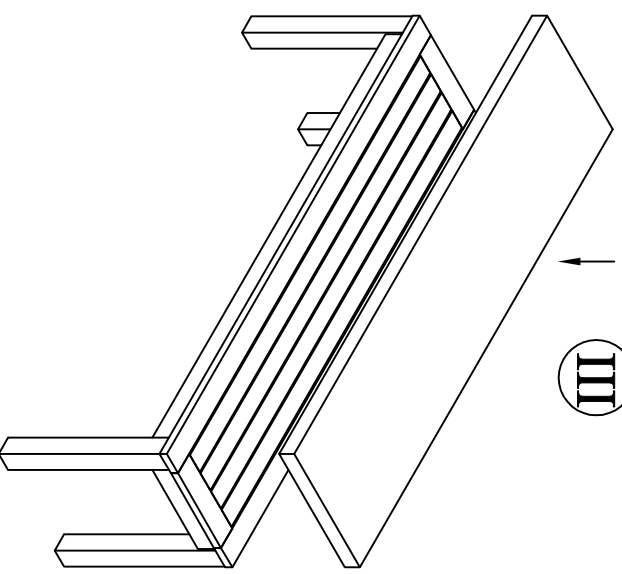
①



②



③



FINISHED