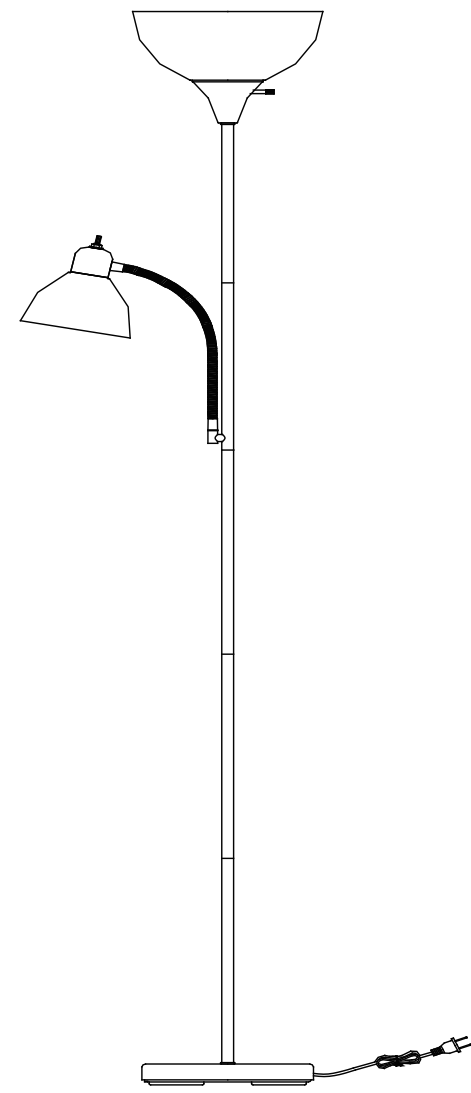


MOTHER AND DAUGHTER 71" (180cm) FLOOR LAMP

MODEL NO. 299-3738-8



ASSEMBLY INSTRUCTIONS

IMPORTANT: Please read this manual carefully before beginning assembly of this product. Keep this manual for future reference.

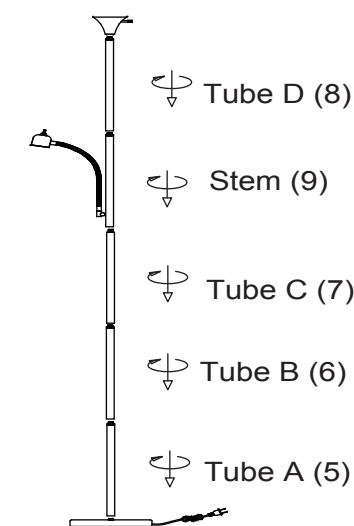
1

MODEL NO. 299-3738-8

Design Center
Lighting & Fabric shades

Step 1 - requires 2, 5, 6, 7, 8, 9, 10

Attach the tube A (5) into the base (2). Then, in turn to screw the tube B (6), tube C (7), stem (9) and tube D (8), clockwise to tighten. Screw the lampcup (10) onto tube D (8) clockwise to tighten.



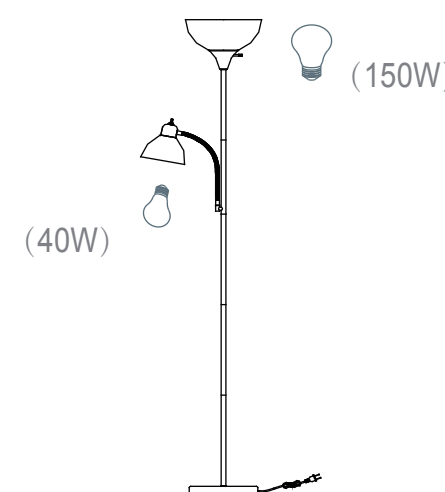
Step 2 - requires 1, 3, 4, 10

Insert lampshade (3, 4) onto the lampcups (10), then tighten with socket rings (1).



Step 3

Install light bulb (not included). Use one 40 W (max.) type A and one 150 W (max.) type A medium-base bulb.



4

MODEL NO. 299-3738-8

Design Center
Lighting & Fabric shades

Floor of Contents	2
Parts List	3
Assembly	4
Warranty	5

MODEL NO. 299-3738-8

Design Center
Lighting & Fabric shades

This product carries a one (1) year warranty against defects in workmanship and materials. Trileaf Distribution agrees to replace a defective product free of charge within the stated warranty period, when returned by the original purchaser with proof of purchase. This product is not guaranteed against wear or breakage due to misuse and/or abuse.

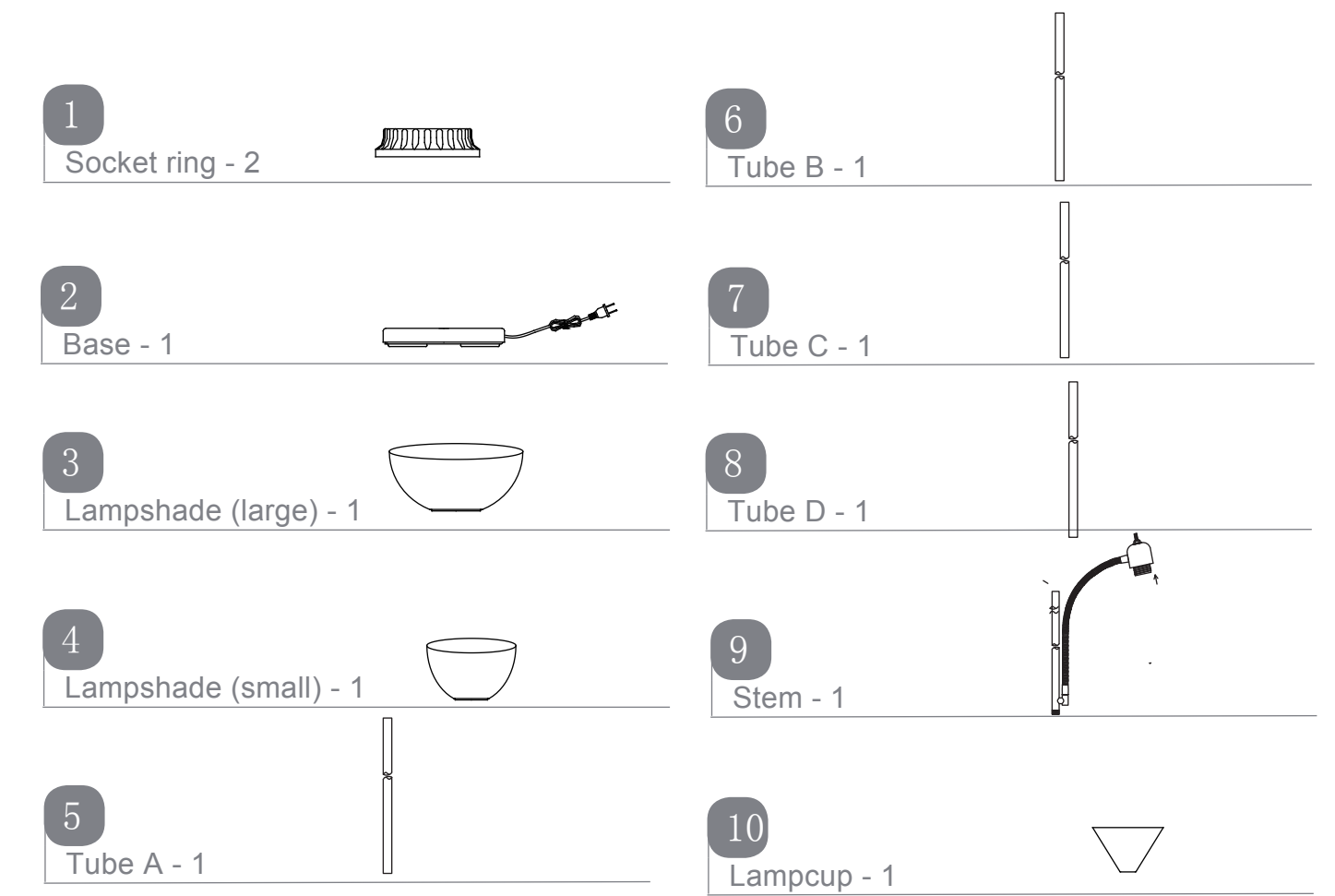
Made in China
Imported by
Trileaf Distribution Trifeuil Toronto, Canada M4S 2B8

2

5

MODEL NO. 299-3738-8

Design Center
Lighting & Fabric shades



3

FLOOR OF CONTENTS

WARRANTY

PARTS LIST

ASSEMBLY