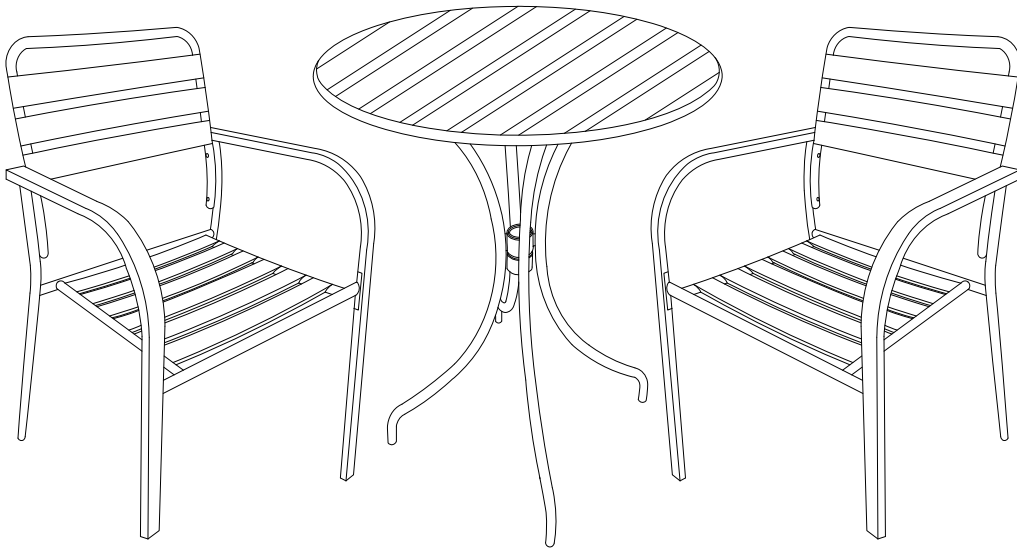


Assembly Instructions

RED BISTRO SET
Product No. 299-2631-6
Model No. S-BS029-A

GREEN BISTRO SET
Product No. 299-2639-0
Model No. S-BS029-AG



Warning:

Repeated assembly can weaken the locking ability of the washers. Please periodically check all bolted connections on your bistro to ensure they are tight and secure.

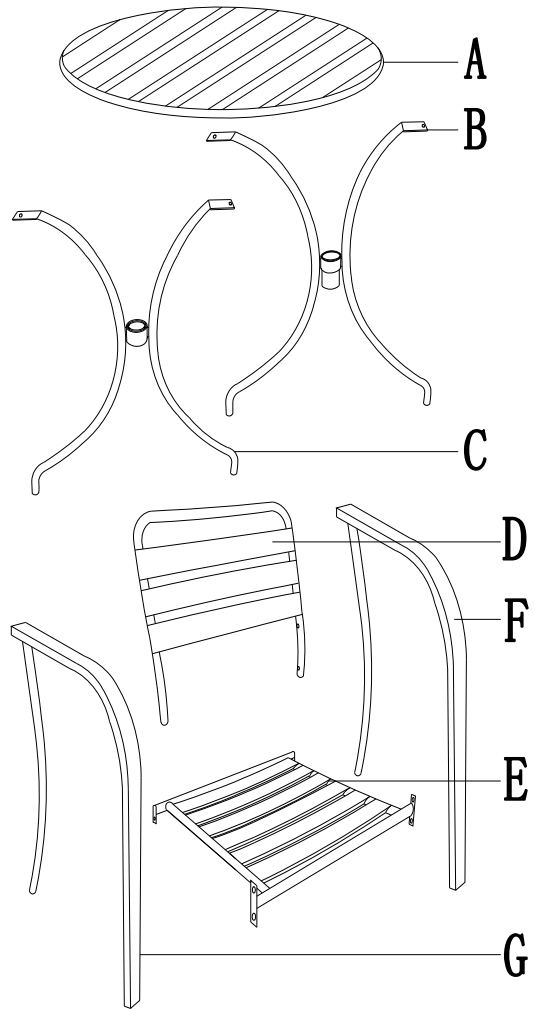
DO NOT over-tighten any screws or nuts.

DO NOT operate if any part is damaged or broken.

NOT FOR USE BY CHILDREN.

Parts List:

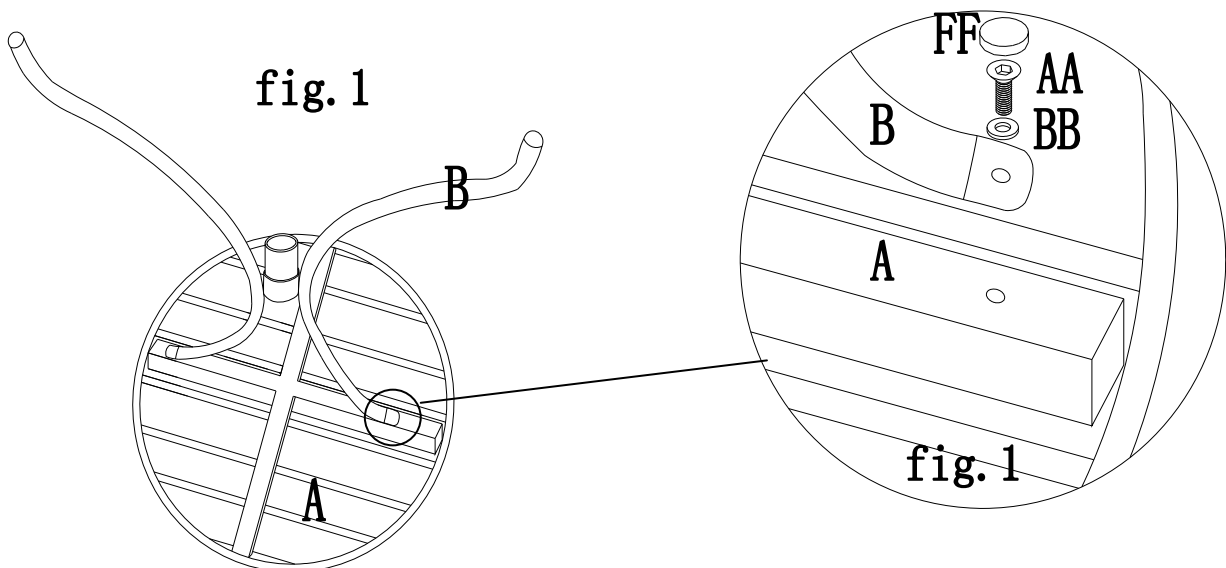
No	Description	Quantity
A	Table Top	1
B	Leg 1	1
C	Leg 2	1
D	Back	2
E	Seat	2
F	Armrest 1	2
G	Armrest 2	2
AA	Bolt M6 x 12	4
BB	Washer M6	24
CC	Bolt M6 x 15	12
DD	Bolt M6 x 32	8
EE	Wrench M6	2
FF	Bolt cover	24



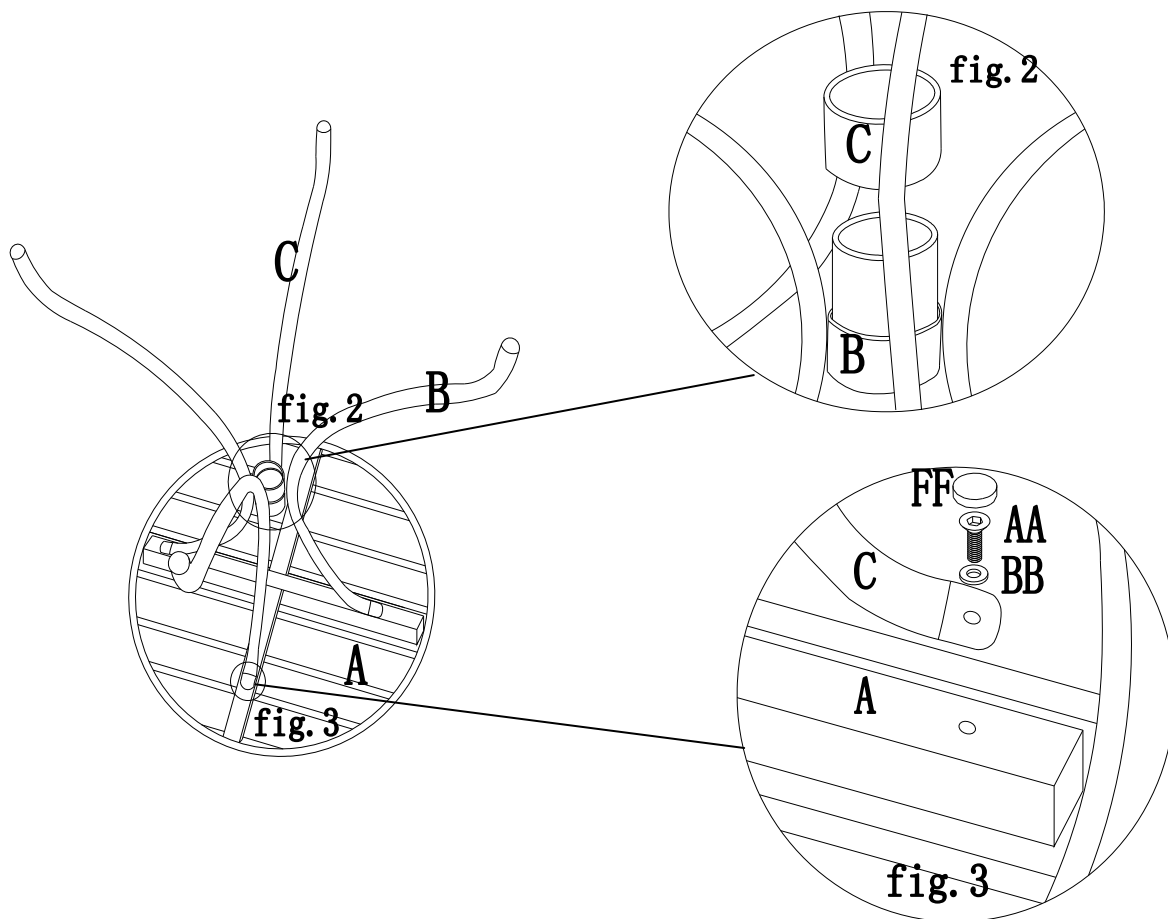
Assembly Instructions:

Put all parts on a clean, soft, level surface before assembling. Check to make sure you have all parts before you start assembling.

Step 1: Put the table top (A) upside down, connect leg 1 (B) to table top (A) using bolt (AA) and washer (BB), then have bolt cover (FF) covered on bolt (AA) . See fig.1.



Step 2: Attach the ring of leg 2 (C) to the ring of leg 1 (B) . See fig.2. Then connect leg 2 (C) to table top (A) using bolt (AA) and washer (BB). Then have bolt cover (FF) covered on bolt (AA) .See fig.3. Then turn over the whole table at upright position.



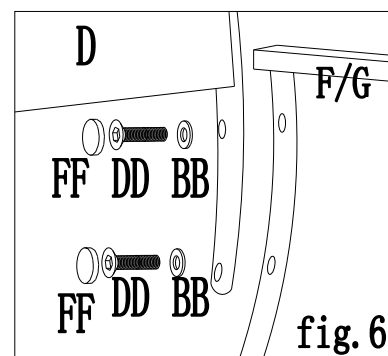
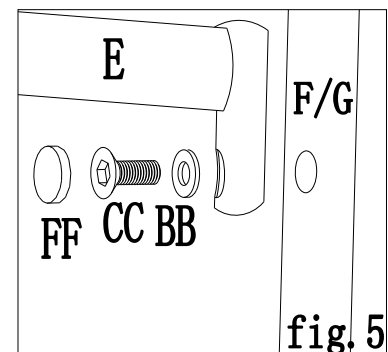
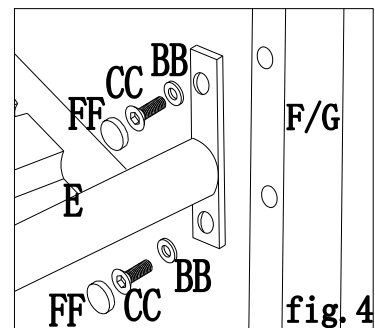
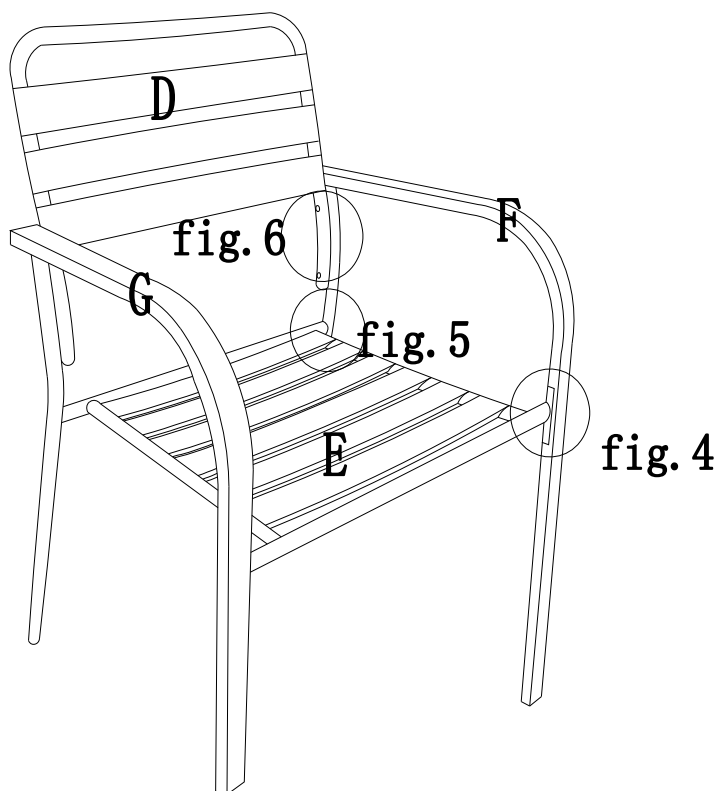
Step 3: Connect the front end of seat (E) to armrest (F/G) using bolt (CC) and washer (BB). Then have bolt cover (FF) covered on bolt (CC) . See Fig.4.

Step 4: Connect the back end of seat (E) to armrest (F/G) using bolt (CC) and washer (BB). Then have bolt cover (FF) covered on bolt (CC) . See Fig.5.

Step 5: Connect the front end of back (D) to armrest (F/G) using bolt (DD) and washer (BB). Then have bolt cover (FF) covered on bolt (DD) . See Fig.6.

Tighten all the bolts using wrench (EE).

Now your bistro set is ready for use.



CARE AND MAINTENANCE:

- Before using, clean the bistro set completely with a soft dry towel.
- Do not place your bistro set in wet conditions where there is a risk of rust developing.
- When not in use, wipe off any dirt or loose objects, wash with water, rinse thoroughly and dry completely.
- Do not use strong detergent or abrasive cleaners.
- When not in use, store in a cool, dry location away from sunlight.

WARRANTY:

This product carries a six (6) month warranty against defects in workmanship and materials. Trileaf Distribution agrees to replace the defective product free of charge within the stated warranty period, when returned by the original purchaser with proof of purchase. This product is not guaranteed against wear or breakage due to misuse and/or abuse.