

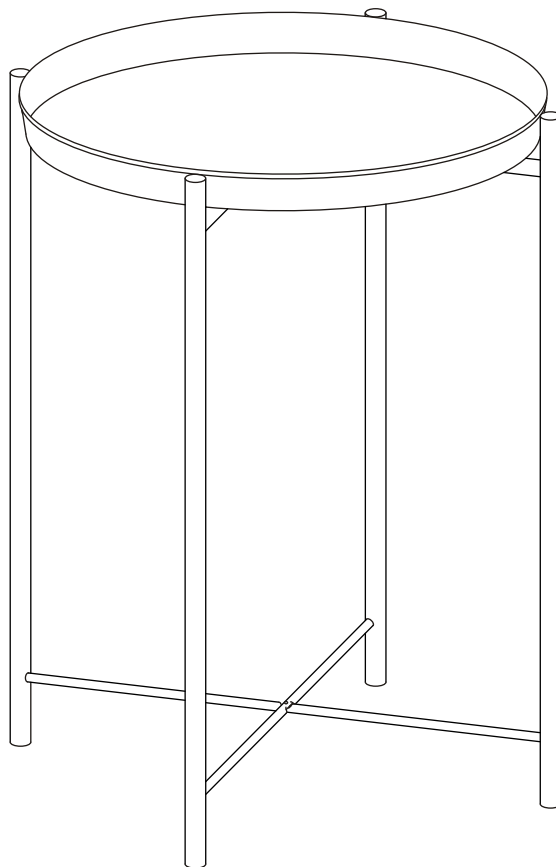
# CANVAS<sup>TM/MC</sup>

SLATE

SIDE TABLE WITH REMOVABLE  
TRAY

---

MODEL NO.168-0017-4



## ASSEMBLY INSTRUCTIONS

Toll-free: 1-888-670-6684

IMPORTANT: Please read this manual carefully before beginning assembly of this product. Keep this manual for future reference.



Table of Contents	3
Safety Instructions	3
Parts List	4
Assembly Preparation	5
Assembly	6
Cleaning and Maintenance	7
Technical Specifications	7
Warranty	8



Warning! To reduce the risk of serious injury, read the following safety instructions before assembling and using this product.

**Caution! Always keep children under close supervision while they are using or around this product. Never leave children unattended.**

- This product is intended for indoor use only.
- This product should be placed on flat, horizontal ground.
- Please store this product in a dry and clean area.
- Keep children and pets away while setting up this product.
- Ensure that the parts are correct and complete before assembly.
- Screws and joints should be re-tightened regularly.
- Do not use this product unless all bolts and screws are firmly secured.
- The maximum load for this product is 33 lb (15 kg).
- Not intended to seat more than one person.
- Do not stand or step on this product.
- Do not sit on the front edge of the product. Do not lean on any two legs.
- Children should use this product under adult supervision only.
- Failure to follow these warnings could result in serious injury.

**IMPORTANT:** Retain for future reference, and read carefully.

4 MODEL NO. 168-0017-4

**A**  
Leg x 1 


**B**  
Leg x 1 

**C**  
Tabletop x 1 

**1**  
Screw x 1 

**2**  
Screw x 1 

**3**  
Sucker x 4 

**4**  
Nuts x 2 

**5**  
Wrench x 1 

**6**  
Hex key x 1 

**CAUTION!**

- Proper placement of the product is essential.
- Keep children away during assembly.
- This product contains small parts which can be swallowed by children.
- Do not assemble this product if any parts are missing.
- Keep fingers away from places where they can be pinched or trapped.

**Let us help you!**

**DO NOT RETURN YOUR PRODUCT TO THE STORE. CALL US FIRST!**  
**1-888-670-6684**

If you have questions regarding your product, require warranty assistance, or have damaged or missing parts, please call our customer service toll-free helpline. Contact us for assistance—we're here to help.

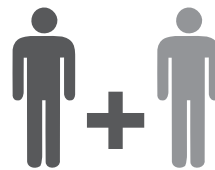
**IMPORTANT:** Please read and understand this manual before any assembly. Before beginning assembly of this product, make sure all parts are present. Compare parts with packaging contents list. If any part is missing, or if you have any questions, contact the service centre at 1-888-670-6684 (toll-free).

Place all parts from the box in a cleared area and position them on the floor in front of you. Remove all packing materials and place them back into the box. Do not dispose of the packing materials until assembly is complete. Read each step carefully before beginning any assembly and make sure you understand each step. If you are missing a part, please call our toll-free number for assistance: 1-888-670-6684.

Needed for assembly:



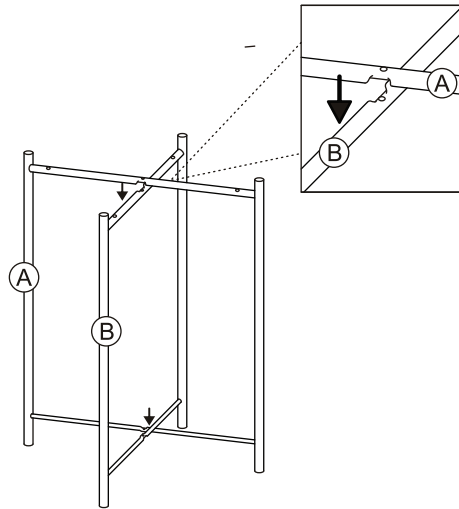
Hex key



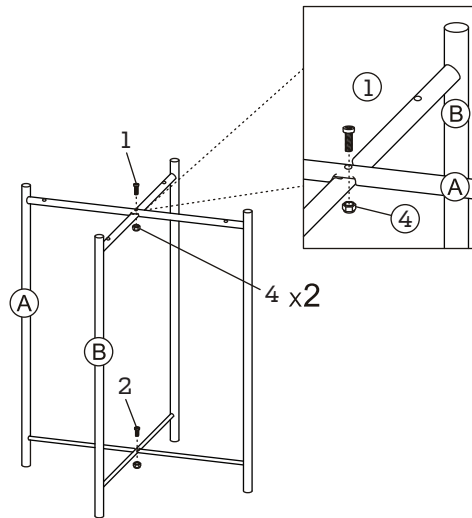
2 people

6 MODEL NO. 168-0017-4

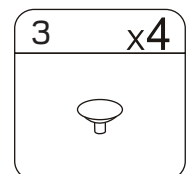
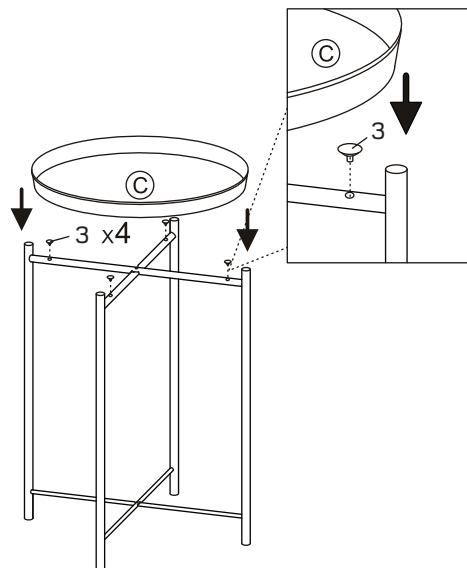
Step 1



Step 2



Step 3



**CAUTION!**

- Check all screws and nuts periodically for tightness, tightening them again as required.
- Disassemble the product in the reverse order of the assembly steps.
- Always disassemble the product completely. A partially-disassembled product is not stable enough to sit on, and therefore can be damaged or cause injury.
- For cleaning, use water or mild detergent. Do not use solvent-type cleaning agents.

- Do not use bleach, acid, or other abrasive cleaners on the frame parts.
- Metal components of indoor furniture are treated with powder coating. Surface oxidation (rusting) will occur if the coating is scratched. To minimize this, it's recommended that care be taken when assembling and handling the product in order to prevent the paint from being scratched. Surface rust can be removed easily using a very light application of common cooking oil. If surface oxidation (rusting) occurs and no measures are taken to correct it, the oxidation may start dripping onto the assembly surface, which may cause damaging stains that may be difficult to remove.

Dimensions (W x D x H )

16 1/8 x 16 1/8 x 21 1/4 "

(41 x 41 x 54 cm)

Product weight

3 lb 26 oz

(1.70 kg)

**8 MODEL NO. 168-0017-4**

This CANVAS™ product carries a one (1) year warranty against defects in workmanship and materials.

Trileaf Distribution agrees to replace the defective product free of charge within the stated warranty period, when returned by the original purchaser with proof of purchase. This product is not guaranteed against wear or breakage due to misuse and/or abuse.