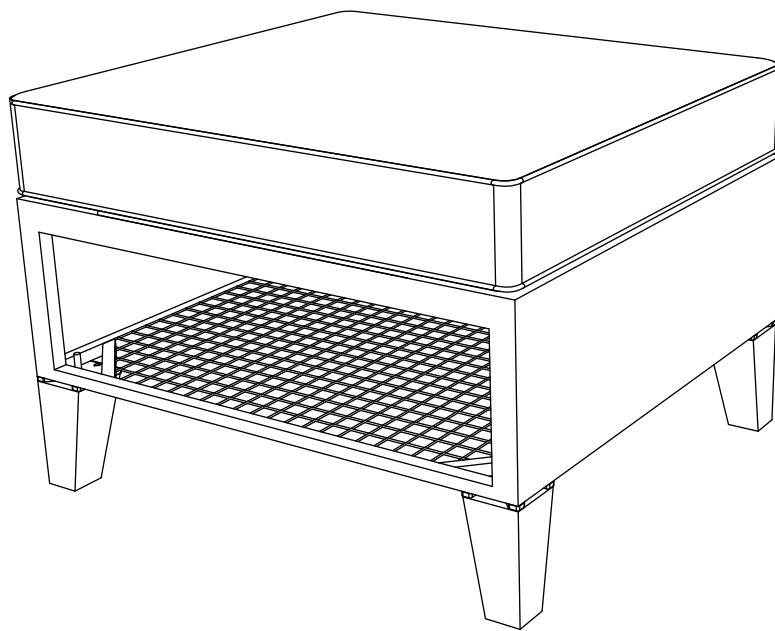


# CANVAS<sup>TM/MC</sup>

## BRETON OTTOMAN

---

PRODUCT NO. 088-2188-4



### ASSEMBLY INSTRUCTIONS

Toll free: 1-888-670-6684

**IMPORTANT:** Please read and understand this manual before any assembly. Before beginning assembly of product, make sure all parts are present. Compare parts with packaging contents list. If any part is missing, or if you have any questions, contact the customer service department at 1-888-670-6684.



<b>Important Safety Instructions</b>	<b>3</b>
<b>Parts List</b>	<b>4</b>
<b>Assembly</b>	<b>5</b>
<b>Cleaning and Maintenance</b>	<b>8</b>
<b>Technical Data</b>	<b>8</b>
<b>Warranty</b>	<b>9</b>



Warning! To reduce the risk of serious injury, read the following safety instructions before assembling and using the ottoman.

**Caution! Always keep children under close supervision while they are using or around this product.**

**Never leave children unattended.**

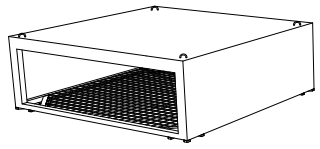
- This product is intended for domestic outdoor use only.
- The product should be placed on flat, horizontal ground.
- Any assembly or maintenance of the product must be carried out by adults only.
- Arrange necessary manpower when assembling or moving the product.
- Some parts may contain sharp edges. Wear protective gloves if necessary.
- Keep children and pets away while setting up the ottoman.
- Check all nuts and bolts periodically for tightness. When required, tighten them again.
- Repairing and replacing parts should be done by a qualified technician.
- If the product will not be used for a long period (e.g., winter time), it should be stored in a clean, dry environment.
- Do not light any fires below or near the product!
- Retain the original packaging to store the ottoman.

**IMPORTANT:** Retain for future reference, and read carefully.

4 PRODUCT NO. 088-2188-4

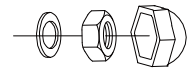
1

Ottoman frame - 1



A

Nut with washer and cap - 4



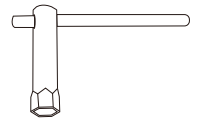
2

Ottoman foot - 4



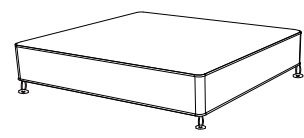
B

Wrench - 1



3

Ottoman cushion - 1



**CAUTION!**

- The maximum weight capacity of the ottoman is 200 lb (90 kg). Do not stand on the product.
- Keep children away during assembly. This product contains small parts which can be swallowed by children.
- Keep fingers away from the places where they can be pinched or trapped.
- Do not attempt to assemble the ottoman if any parts are missing.

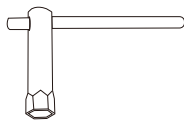
**Let us help you!**

**DO NOT RETURN YOUR PRODUCT TO THE STORE. CALL US FIRST!**  
**1-888-670-6684**

If you have questions regarding your product, require warranty assistance, or have damaged or missing parts, please call our customer service toll-free helpline. Contact us for assistance; we're here to help.

Place all parts from the box in a cleared area and position the m on the floor in front of you. Remove all packing materials and place them back into the box. Do not dispose of the packing materials until assembly is complete. Read each step carefully before beginning any assembly and make sure you understand each step. If you are missing a part, please call our toll-free number for assistance 1-888-670-6684.

Needed for assembly:



Wrench

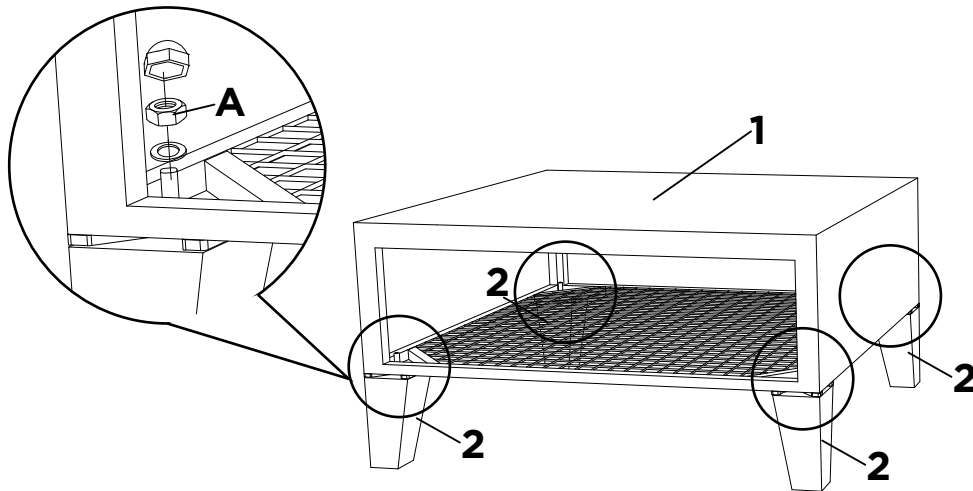
**6** PRODUCT NO. 088-2188-4

Note: Do not tighten screws all the way until you have assembled the ottoman. Once assembly is complete, tighten each screw.

**Step 1**

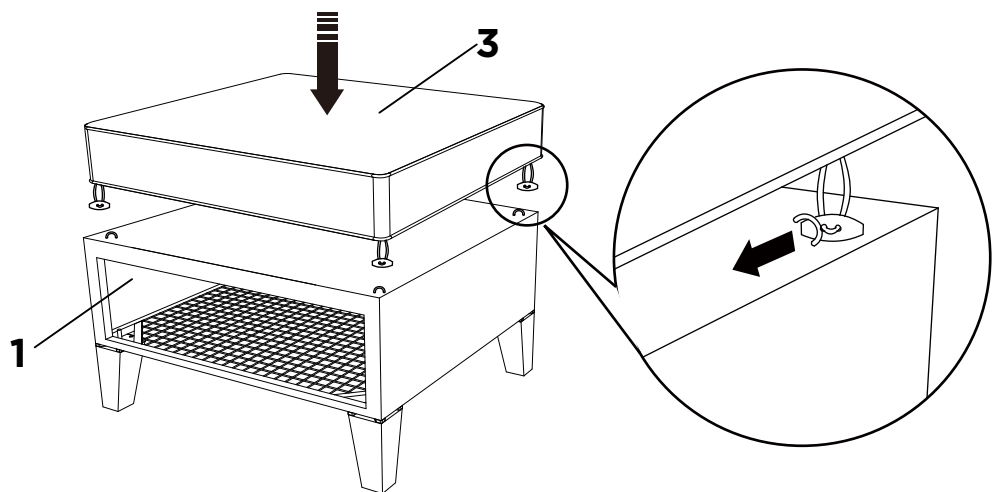
Requires part **1, 2, A, B**

Attach the ottoman feet **2** to the ottoman frame **1** using the nuts **A** with washers and caps, aligning the holes. When assembled, tighten the nuts and caps with the wrench **B**.

**Step 2**

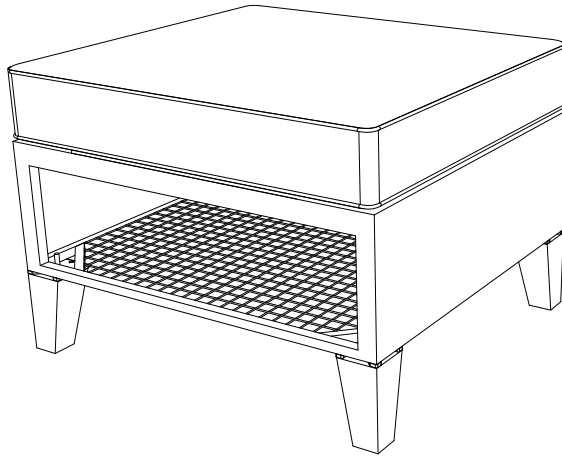
Requires parts **1, 3**

Place and secure ottoman cushion **3** onto the ottoman.



## Step 3

Turn the ottoman to the upright position.



## 8 PRODUCT NO. 088-2188-4

**CAUTION!**

- Check all screws and nuts periodically for tightness, tightening them again as required.

- Clean the product with a slightly damp cloth and a little detergent. Let it dry thoroughly.
- Do not use bleach, acid, or other abrasive cleaners on the ottoman or frame parts.

Dimensions (L x W x H)

20 1/2 x 22 1/32 x 12"

52 x 56 x 30.5 cm

Product weight

11 lb (5.0 kg)



This CANVAS product carries a one (1) year warranty against defects in workmanship and materials. Trileaf Distribution agrees to replace a defective product free of charge within the stated warranty period, when returned by the original purchaser with proof of purchase. This product is not guaranteed against wear or breakage due to misuse and/or abuse.