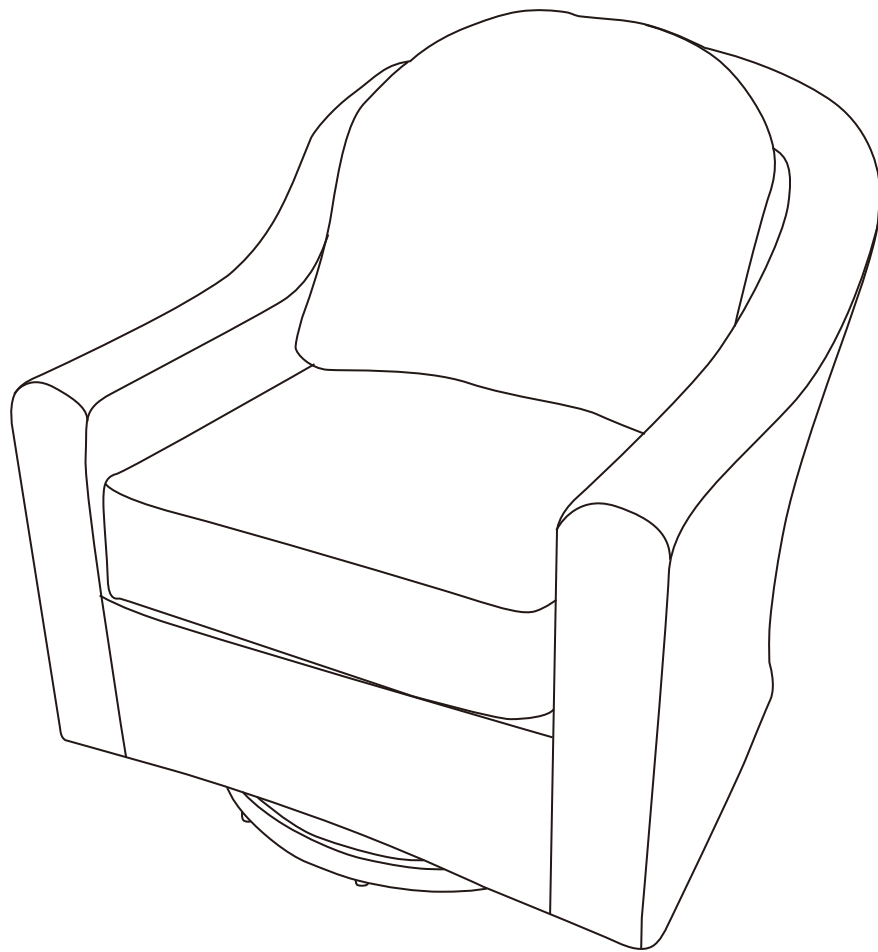


CANVAS^{TM/MC}

SUMMERHILL MOTION CHAIR

PRODUCT NO. 088-2036-6



ASSEMBLY INSTRUCTIONS

Toll-free: 1-888-670-6684

IMPORTANT: Please read this manual carefully before beginning assembly of this product.
Keep this manual for future reference.

Made in Vietnam

Imported for Trileaf Distribution Trifeuil Toronto, Canada M4S 2B8

Important Safety Instructions	3
Parts List	4
Assembly	5
Cleaning and Maintenance	8
Technical Data	8
Warranty	9



Warning! To reduce the risk of serious injury, read the following safety instructions before assembling and using the chair.

Caution! Always keep children under close supervision while they are using or are around this product.

Never leave children unattended.

- This product is intended for domestic outdoor use only.
- The product should be placed on flat, horizontal ground.
- Any assembly or maintenance of the product must be carried out by adults only.
- Arrange necessary manpower when assembling or moving the product.
- Some parts may contain sharp edges. Wear protective gloves if necessary.
- Keep children and pets away while setting up the chair.
- Check all of the nuts and bolts periodically for tightness. When required, tighten them again.
- Repairing and replacing parts should be done by a qualified technician.
- Use the correct bolts as indicated.
- Do not discard any of the packaging until you have checked that you have all of the parts and fittings required.
- Children should always be under direct adult supervision while using this product.
- Retain these assembly instructions for future reference.

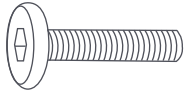
IMPORTANT: Retain for future reference and read carefully.

4 PRODUCT NO. 088-2036-6

1
Seat Assembly - 1



A
M6x35 mm Bolt - 1



2
Support Frame - 1



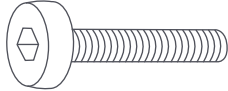
B
M8x30 mm Bolt - 8



3
Swing Bar - 2



C
M8x40 mm Bolt - 4



4
Seat Post - 1



D
d6.5xD30x2.0 mm Washer - 1



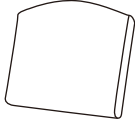
5
Base Assembly - 1



E
d8.5xD17x1.6 mm Washer - 4




6
Back Cushion - 1



F
d8.5xD12.5x1.5 mm Washer 24



7
Seat Cushion - 1



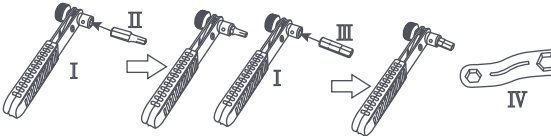
G
d8.5xD12x2.1 mm Washer 4



H
M8x1.25 Jam Nut - 4



Tools (Not Included)



**CAUTION!**

- Proper placement of your chair is essential.
- Do not place the product underneath electrical lines.
- Keep children away during assembly.
- This product contains small parts which can be swallowed by children.
- Keep fingers away from the places where they can be pinched or trapped.
- Do not attempt to assemble the chair if any parts are missing.

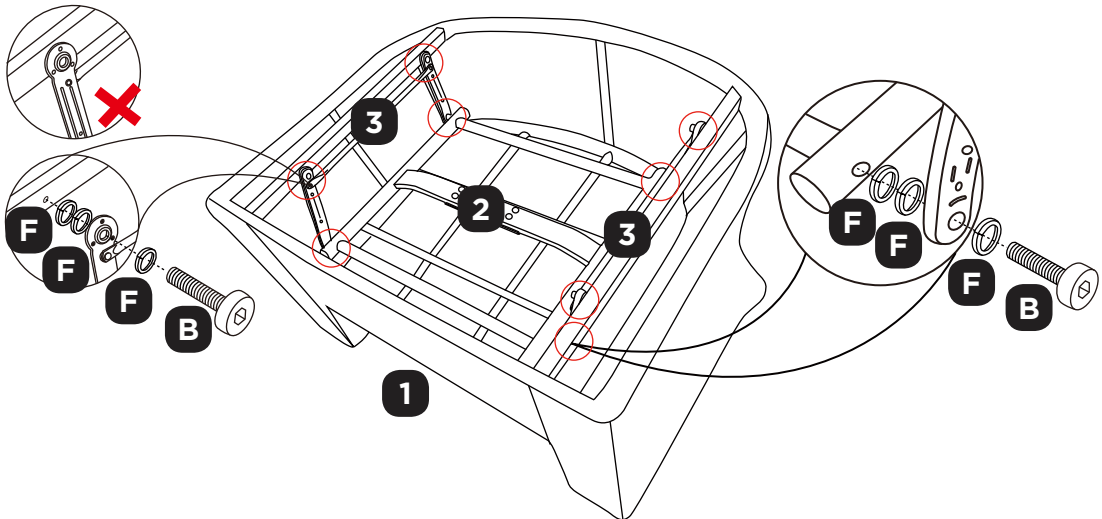
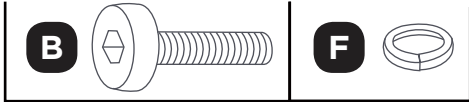
**Let us help you!**

DO NOT RETURN YOUR PRODUCT TO THE STORE. CALL US FIRST!
1-888-670-6684

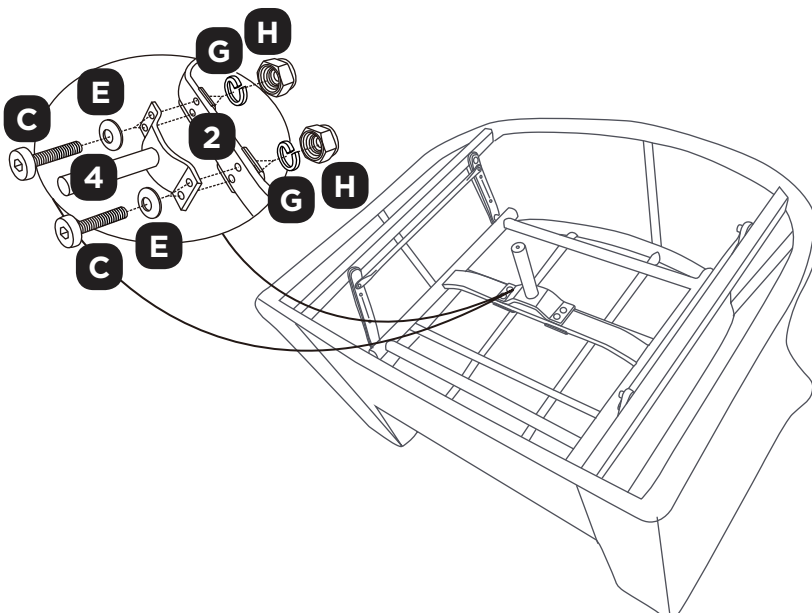
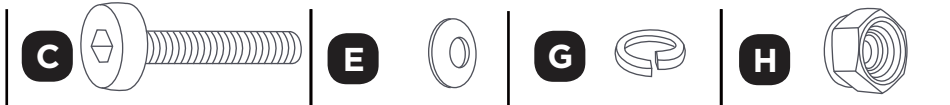
If you have questions regarding your product, require warranty assistance, or have damaged or missing parts, please call our customer service toll-free helpline. Contact us for assistance; we're here to help.

Step 1**Requires: 1, 2, 3, B, and F**

Turn the swivel rocker chair upside down, fasten the support frame **2** to the seat assembly **1** and the swing bars **3** by using bolts **B** and washers **F**. Make sure that all of the bolts have been tightened completely.

**Step 2****Requires: 2, 4, C, E, G, and H**

Place the seat post **4** onto the brace of the support frame **2**. Fasten them together by using bolts **C**, washers (**E** and **G**), and jam nuts **H**. Make sure that all of the bolts have been tightened completely.



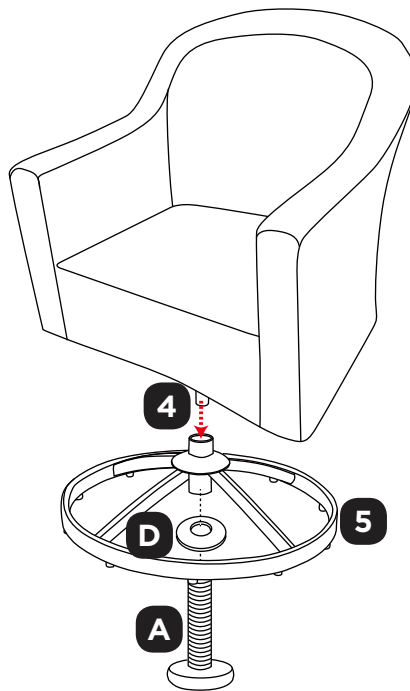
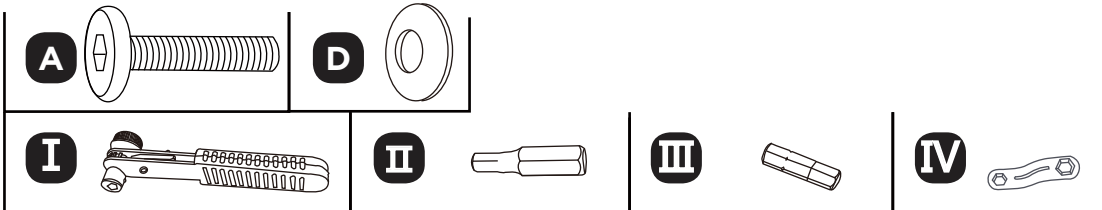
Step 3

Requires: **4, 5, A, and D**

Insert the seat post **4** into the hole in the centre of the base assembly **5**. Fasten them together by using bolt **A** and washer **D**. Make sure that all of the bolts have been tightened completely. Secure all of the bolts by using wrenches **I, II, III, and IV**.

Note:

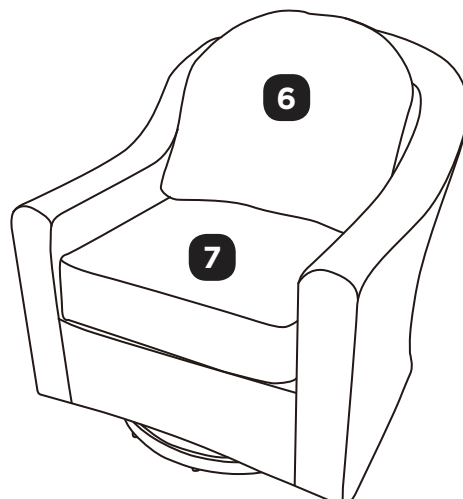
For ease with installation, we recommend that the seat post **4** be lightly oiled or waxed before fastening it to the base assembly **5**.



Step 4

Requires: **6 and 7**

Place cushions (**6** and **7**) onto the chair.



**CAUTION!**

- Check all of the bolts and nuts periodically for tightness, fastening them again as required.
- Disassemble the chair in the reverse order of the assembly steps. Always disassemble the chair completely. A partially disassembled chair is not stable enough to resist wind and bad weather, and therefore can be damaged and/or cause damage.
- Clean the chair with mild soap and water. Rinse thoroughly, and wait until the product is dry before reassembling it.

- Wash frame and wicker parts with mild soap and water, rinse thoroughly, and dry completely. Do not use bleach, acid, or other solvents on the frame or wicker parts.
- The cushions may be washed on the surface only by using mild soap and water or commercial foaming upholstery cleaner if necessary. If washed, rinse well and hang to dry. Do not machine wash or dry.
- We recommend the use of furniture covers when not in use.
- Inspect and tighten all of the bolts and fasteners on a regular basis to ensure proper performance and safety of your chair.
- In order to prolong the life and beauty of your chair, we recommend that it be stored in a dry and protected area during off season periods.

Dimensions (LxWxH)	37 x 35 x 36"
	94 x 89 x 91.5 cm
Product weight	38 lb 2 oz
	17.3 kg

This Canvas product carries a five (5) year warranty against defects in workmanship and materials. Trileaf Distribution agrees to replace the defective product free of charge within the stated warranty period, when returned by the original purchaser with proof of purchase. This product is not guaranteed against breakage due to misuse and/or abuse.