

CANVAS^{TM/MC}

EMERSON COLLECTION COFFEE TABLE

PRODUCT NO. 088-1713-0

ASSEMBLY INSTRUCTIONS

Toll-free: 1-888-670-6684

IMPORTANT: Please read this manual carefully before beginning assembly of this product.
Keep this manual for future reference.

Table of Contents	3
Important Safety Instructions	3
Parts List	4
Assembly	5
Cleaning and Maintenance	8
Technical Data	8
Warranty	9

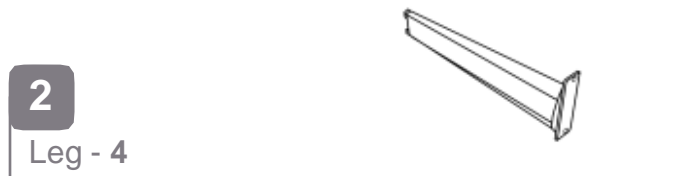


Warning! To reduce the risk of serious injury, read the following safety instructions before assembling and using the product.

Caution! Always keep children under close supervision while they are using or around this product.
Never leave children unattended.

- ‡ The product should be placed on a horizontal ground.
- ‡ Any assembly or maintenance of the product must be carried out by adults only.
- ‡ Arrange necessary manpower when assembling or moving the product.
- ‡ Some parts may contain sharp edges. Wear protective gloves if necessary.
- ‡ Keep children and pets away while setting up the product.
- ‡ Check all nuts and bolts periodically for tightness. When required, tighten them again.
- ‡ Repairing and replacing parts should be done by a qualified technician.
- ‡ Always remove the product in heavy wind conditions, otherwise it might tip over and cause damage to the product or injuries to passersby.
- ‡ If the product will not be used for a longer period (e.g. winter time), it should be stored in a clean, dry environment.
- ‡ Do not light any fires inside or near the product!
- ‡ Retain the original packaging to store the product.

IMPORTANT : Retain for future reference, and read carefully.



CAUTION!

- ⚠ The maximum load of this product is 20 kg (44 lb).
- ⚠ Do not stand or sit on the table.
- ⚠ Keep children away during assembly.
- ⚠ This product contains small parts which can be swallowed by children.
- ⚠ Keep fingers away from the places where they can be pinched or trapped.
- ⚠ Do not attempt to assemble the product if any parts are missing.

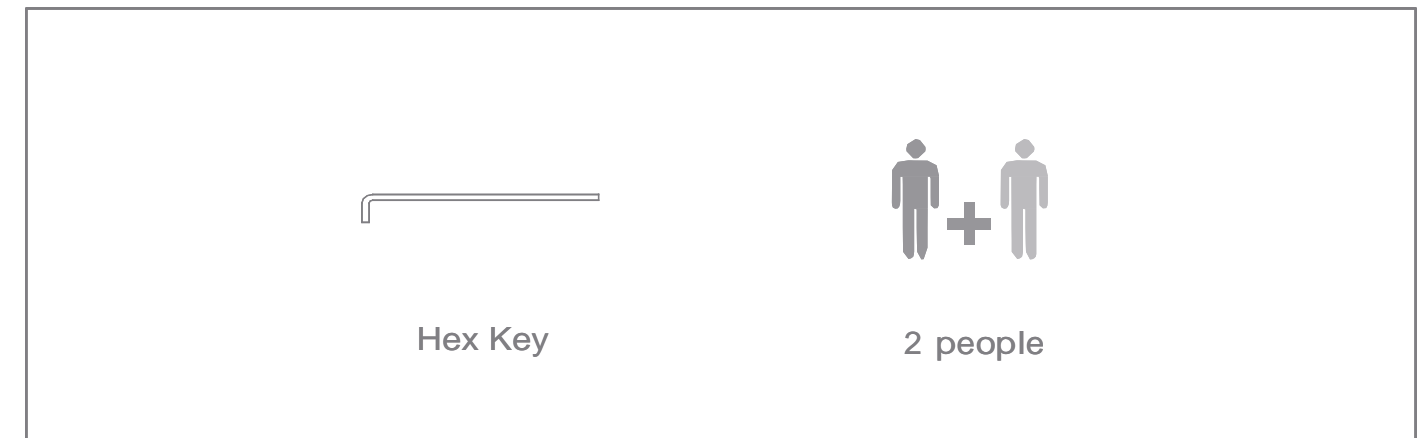


Let us help you!
DO NOT RETURN YOUR PRODUCT TO THE STORE. CALL US FIRST!
 1-888-670-6684
 If you have questions regarding your product, require warranty assistance, or have damaged or missing parts, please call our customer service toll-free helpline. Contact us for assistance; we're here to help.

IMPORTANT: Please read and understand this manual before any assembly. Before beginning assembly of product, make sure all parts are present. Compare parts with packaging contents list. If any part is missing, or if you have any questions, contact the service centre at 1-888-670-6684 (toll-free).

Place all parts from the box in a cleared area and position them on the floor or in front of you. Remove all packing materials and place them back into the box. Do not dispose of the packing materials until assembly is complete. Read each step carefully before beginning any assembly and make sure you understand each step. If you are missing a part, please call our toll-free number for assistance; 1-888-670-6684.

Needed for assembly:



Step 1

Requires **1, 2, A, C, D, F**

Attach the leg **2** to the table frame **1** using the screw **A** washer **C** and screw cap **D**. Tighten the screws with the hex key **F**.



Step 2

Requires **2, 3, B, C, D, F**

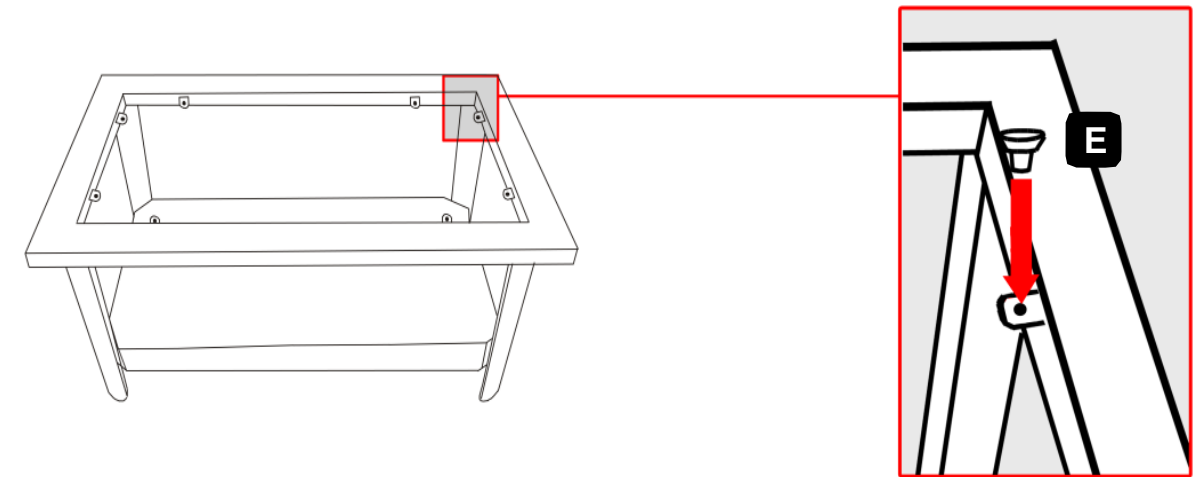
Attach bottom shelf **3** to the leg **2** using the screw **B**, washer **C** and screw cap **D**. Tighten the screws with the hex key **F**.



Step 3

Requires **E**

Place the plastic stopper **E** into the stopper hole in the table frame.



Step 4

Requires **4**

Carefully put the glass **4** in the table top. Now your table is ready for use. Enjoy!



**CAUTION!**

⚠ Check all screws and nuts periodically for tightness, tightening them again as required.

⚠ Disassemble the product in the reverse order of the assembly steps. Always disassemble the product completely.

⚠ Do not use bleach, acid, or other abrasive cleaners on the glass or frame parts.

⚠ Steel components of garden accessories and furniture are treated with rust-inhibiting paint. However, due to the nature of steel, surface oxidation (rusting) will occur if this protective coating is scratched. This is a natural process. To minimize this condition, it is recommended that care be taken when assembling and handling the product in order to prevent the paint from being scratched. Surface rust can be removed easily using a very light application of common cooking oil. If surface oxidation (rusting) occurs and no measures are taken to correct it, the oxidation may start dripping onto the assembly surface, which may cause damaging stains that may be difficult to remove.

Dimensions (L x W x H)

105 x 60 x 48 cm

41 3/8 x 23 5/8 x 18 7/8"

This CANVAS[®] product carries a one (1) year warranty against defects in workmanship and materials.

Trileaf Distribution agrees to replace the defective product free of charge within the stated warranty period, when returned by the original purchaser with proof of purchase. This product is not guaranteed against wear or breakage due to misuse and/or abuse.

Made in China

Imported by

Trileaf Distribution Trifeuil Toronto, Canada M4S 2B8