

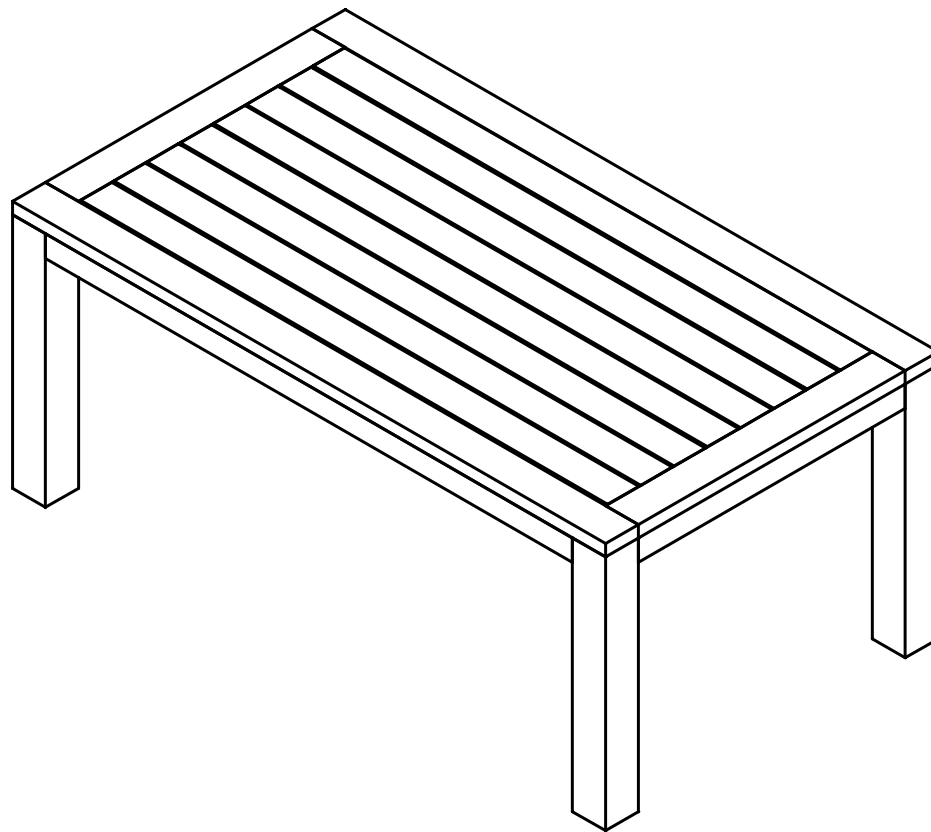
# CANVAS<sup>TM/MC</sup>

## MODENA DINING TABLE

---

PRODUCT NO. 088-1690

MODEL NO. HUC31499



### ASSEMBLY INSTRUCTIONS

IMPORTANT: Please read this manual carefully before beginning assembly of this product.  
Keep this manual for future reference.

Service Centre Toll-Free No.

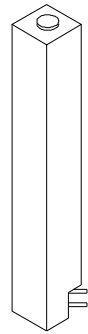
Tel: 1-800-916-9390

Fax: 1-905-264-1154

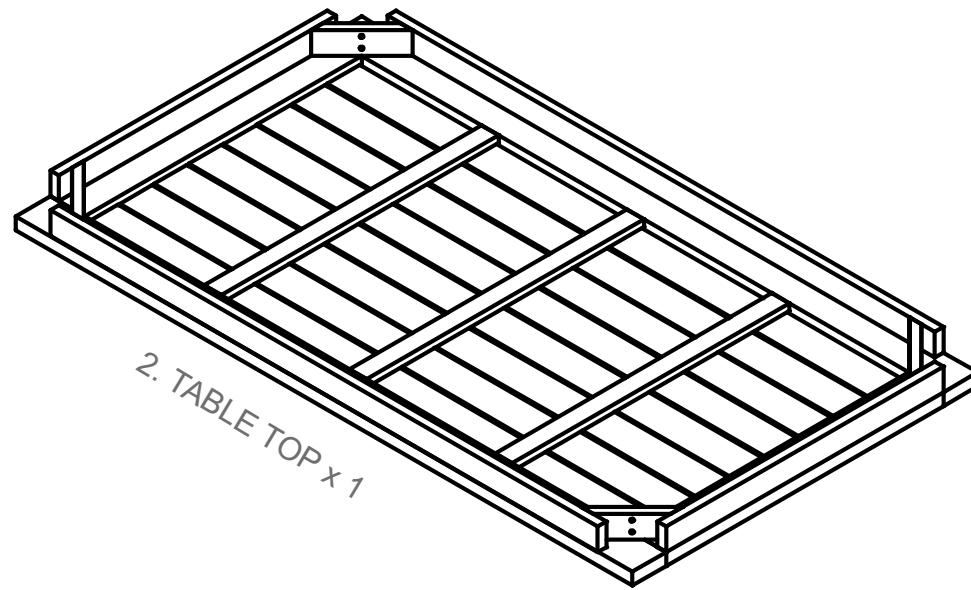
PRODUCT NO. 088-1690  
MODEL NO. HUC31449

CANVAS<sup>TM/MC</sup>

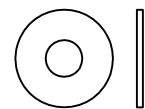
PARTS LIST



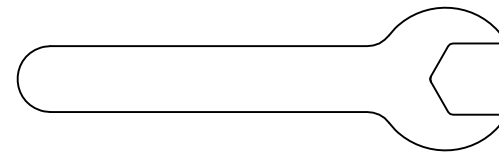
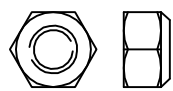
1. LEGS x 4



Ⓐ WASHERS = 8 pcs

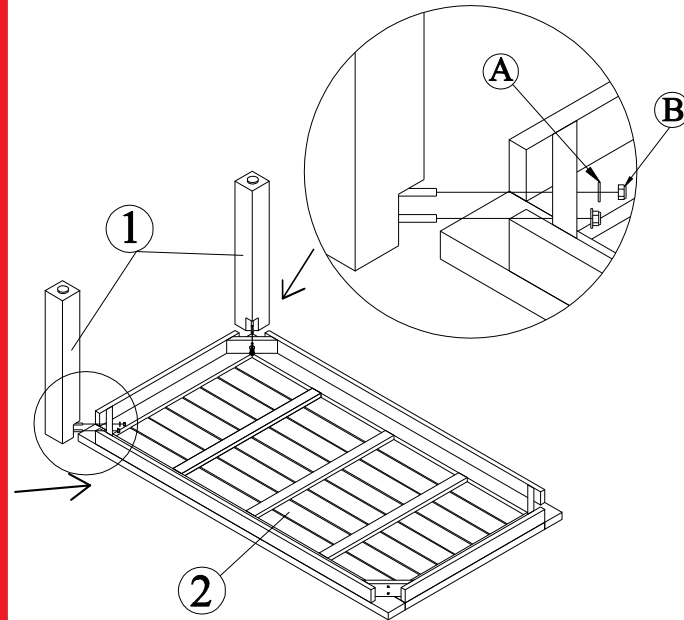


Ⓑ LOCK NUTS = 8 pcs



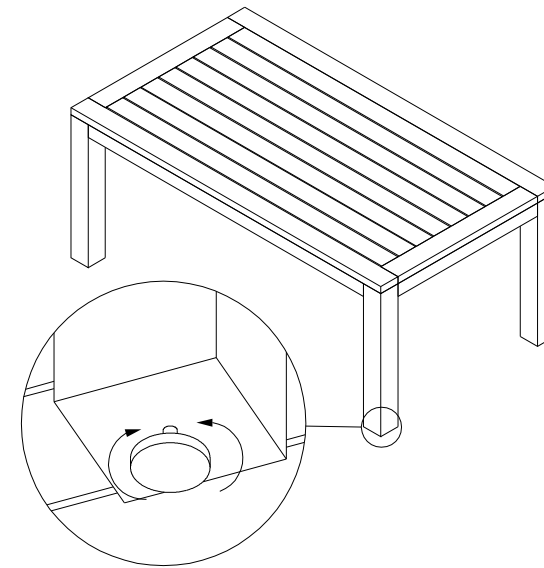
Ⓒ WRENCH = 1 pc

**Step 1:**  
Requires 1, 2, A, B, and C  
Put the table top upside down on a flat surface.  
Insert two legs (1) into the underside of the table top (2).  
Put a washer (A) and a lock nut (B) onto each bolt on the leg.  
Secure in place by using the wrench (C).

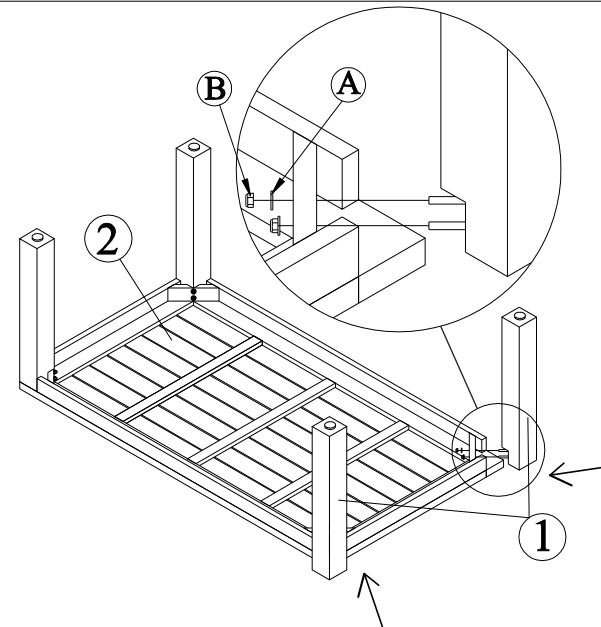


**Step 3:**  
Finished.

For stability, turn the feet levelers clockwise to your desired position.



**Step 2:**  
Requires 1, 2, A, B, and C  
Attach the other two legs as outlined in Step 1.



**CAUTION**

- Keep children away during assembly.
- This product contains small parts which can be swallowed by children.
- If any parts are missing, do not attempt to assemble the table.

Made in Vietnam

Imported by  
Trileaf Distribution Trifeuil Toronto,  
Canada M4S 2B8

# CANVAS<sup>TM/MC</sup>

## WARRANTY:

This product is covered by a one year manufacturer's limited warranty. To ensure your complete satisfaction, this warranties to the original purchaser that this furniture be free of manufacturing defects. If you have a frame failure within the first year of ownership, we will repair or replace at our option. We reserve the right to make a substitution with similar merchandise if the model in question is no longer in production. This warranty does not cover commercial use, acts of nature, fire, freezing, or abusive use. In addition, purchased parts are not covered in this warranty. Proof of purchase (dated register receipt) is required for warranty claims. It remains the customers responsibility for freight and packing charges to and from our service centre.

Tel : 1-800-916-9390

Fax : 1-905-264-1154

WARRANTY

WARRANTY