



SOLAR-POWERED AUTO-LIFT UMBRELLA WITH REMOTE CONTROL

PRODUCT NO. 088-1646-0

MODEL NO. 24650



ASSEMBLY INSTRUCTIONS

IMPORTANT: Please read this manual carefully before beginning assembly of this product.
Keep this manual for future reference.

Important Safety Instructions	2
Parts List	4
Set-up	5
Operation & Controls	6 - 9
Care and Maintenance	10
Battery Replacement	11
Warranty	12

Important Safety Rules

When using electrical products, basic precautions should always be practised including the following:

- Read and follow all instructions that are on the product or provided with the product.
- For a cord-connected or direct plug-in power unit, do not use an extension cord.
- Reference the National Electrical Code, ANSI/NFPA 70, specifically for the installation of wiring and clearances from power and lighting conductors.
- Installation work and electrical wiring must be done by qualified person(s) in accordance with all applicable codes and standards, including fire-rated construction.
- For a cord-connected or direct plug-in power unit, do not install or use within 10' (3 m) of a pool.
- For a cord-connected or direct plug-in unit, do not use in a bathroom.



CAUTION!

- Do not attempt to alter the wiring or operate the umbrella without all LEDs in place.
- Do not attempt to assemble or use the umbrella in windy conditions. Store the closed umbrella indoors to prevent damage.
- Always put the umbrella in the down position when not in use.
- Securely fasten the umbrella to an appropriately sized umbrella base (not included). Do not install into the ground. Not intended for permanent installation or use.
- Extreme caution must be used when moving this product. For safety, collapse the umbrella before moving.
- Do not immerse in water. Not water resistant.



WARNING!

- Risk of Electric Shock. When used outdoors, install only to a covered Class A GFCI protected receptacle that is weatherproof with the power unit connected to the receptacle. If one is not provided, contact a qualified electrician for proper installation. Ensure that the power unit and cord do not interfere with completely closing the receptacle cover.
- Do not use near open flame or other heat sources.
- Changes or modifications to this unit not expressly approved by the party responsible for compliance could void the user's authority to operate the equipment.

This device complies with Part 15 of the FCC Rules, operation is subject to the following two conditions:

- (1) This device may not cause harmful interference, and
- (2) This device must accept any interference received, including interference that may cause undesired operation.

NOTE: This equipment has been tested and found to comply with the limits for a Class B digital device, pursuant to Part 15 of the FCC Rules. These limits are designed to provide reasonable protection against harmful interference in a residential installation. This equipment generates, uses and can radiate radio frequency energy and, if not installed and used in accordance with the instructions, may cause harmful interference to radio communications. However, there is no guarantee that interference will not occur in a particular installation. If this equipment does cause harmful interference to radio or television reception, which can be determined by turning the equipment off and on, the user is encouraged to try to correct the interference by one or more of the following measures:

- Reorient or relocate the receiving antenna.
- Increase the separation between the equipment and receiver.
- Connect the equipment to an outlet on a circuit different from that to which the receiver is connected.
- Consult the dealer or an experienced radio/TV technician for help.

Save These Instructions

This manual contains important safety and operating instructions for power units.

- Never use the AC charger cord to pull the plug from the outlet. Keep cord away from heat, oil, sharp edges or moving parts. Replace damaged charger immediately. Using a damaged charger increases the risk of electrical shock.
- Product must be recharged only with the supplied charger. A charger that may be suitable for one type of battery may create a risk of fire when used with another battery.
- Use product with supplied 12.8 v/700mAh Li-Fe battery pack only. Use of any other batteries may create a risk of fire.
- When servicing a product, use only identical replacement parts. Follow instructions in the Maintenance section of this manual. Use of unauthorized parts or failure to follow Maintenance instructions may create a risk of electric shock or injury.



WARNING!

- Changes or modifications to this unit not expressly approved by the party responsible for compliance could void the user's authority to operate the equipment.

Safety Rules For Rechargeable Batteries

When replacing batteries make sure the batteries are inserted in the correct polarity position (+/-), as indicated in the battery compartment. Failure to insert the batteries in the correct polarity position may shorten the life of the battery or cause the battery to explode.



Do not discard batteries in household waste. Please dispose of used batteries properly. Consult your local telephone listings for a battery recycling centre near your area.



Do not throw Li-Fe batteries into water!



Protect Li-Fe batteries against heat and fire due to risk of explosion.



Recycle



Do not allow Li-Fe batteries to freeze.

4 PRODUCT NO. 088-1646-0 | MODEL NO. 24650

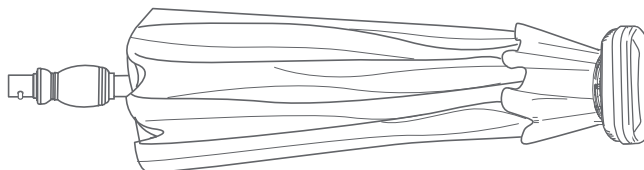
Getting Started

Please do not throw away any packing material until all parts are verified as present.

Parts List

1

Umbrella Body -1



2

Lower Pole -1



3

Remote Control -1



5

Replacement LEDs -2



4

A/C Power Adapter -1



6

Care & Use Guide -1



Overview

This product is designed to the highest technical specifications and standards. It will supply years of maintenance-free use. Please read these instructions thoroughly prior to installation, then store in a safe place for future reference. If at any time you are unclear about this product, or require further assistance, please do not hesitate to contact our trained professionals operating the customer support line at 1-877-615-1378.

About Your Solar Light

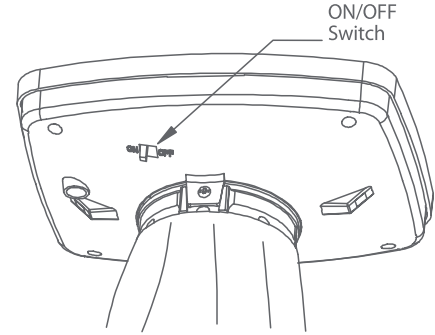
During the day your solar panel will convert the sun's light and/or UV rays into electrical power that will charge the rechargeable battery. When it becomes dark, the solar light will turn on using the power stored in the rechargeable battery as it will detect no daylight. The unit's light output strength and duration depends on how many hours and how much sunlight and/or UV rays your panel absorbs throughout the day.

For maximum output place the solar panel in an area where there is direct sunlight for at least 8 hours in a given day. Do not install your solar light in a shaded area. The selected location should not be near nighttime light sources such as porch lights, street lights or pool lights, as these may cause the solar light to turn off prematurely.

Step 1

Turning the Solar Panel On

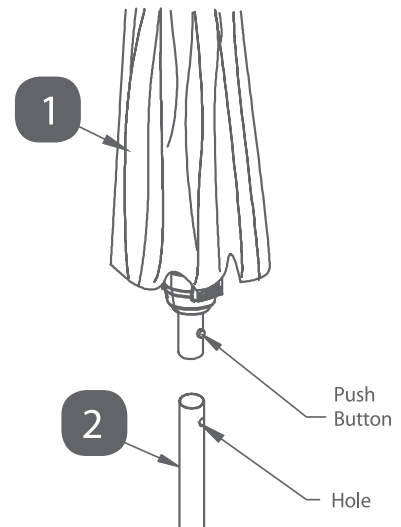
- Move the On/Off switch to the ON position.



Step 2

Connecting the Lower Umbrella Pole

- Align the push button at the end of the umbrella body (1) with the hole at the top of the lower umbrella pole (2).
- Press the push button and insert the umbrella into the lower umbrella pole until the push button locks.
- Place the umbrella upright in a heavy weighted stand (not included) and table capable of firmly securing the umbrella.



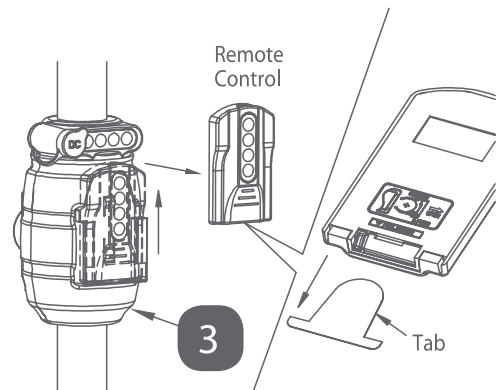
CAUTION!

- Do not insert the end of the umbrella pole into the ground. The solar umbrella is designed to be used with an umbrella stand (not included).

Step 3

Activating the Remote Control

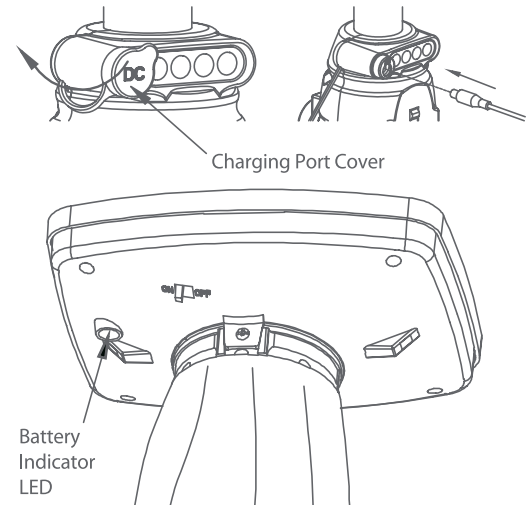
- Remove the remote control from the crank housing.
- Pull and remove the protruding tab from the battery compartment.
- Replace the remote control in the crank housing for storage.



Charging the Batteries Using the Charger

- Remove the cover from the charging port on the control housing.
- Plug in the AC adapter into the port.
- Plug the transformer into a qualified household receptacle. The Green LED indicator on the transformer will illuminate when connected.
- The battery indicator LED will turn green when the battery is fully charged. Remove the AC adapter when complete.

NOTE: Before operating, the batteries need to be fully charged. The batteries may require up to 8 hours of full sunlight and/or AC adapter to fully charge.

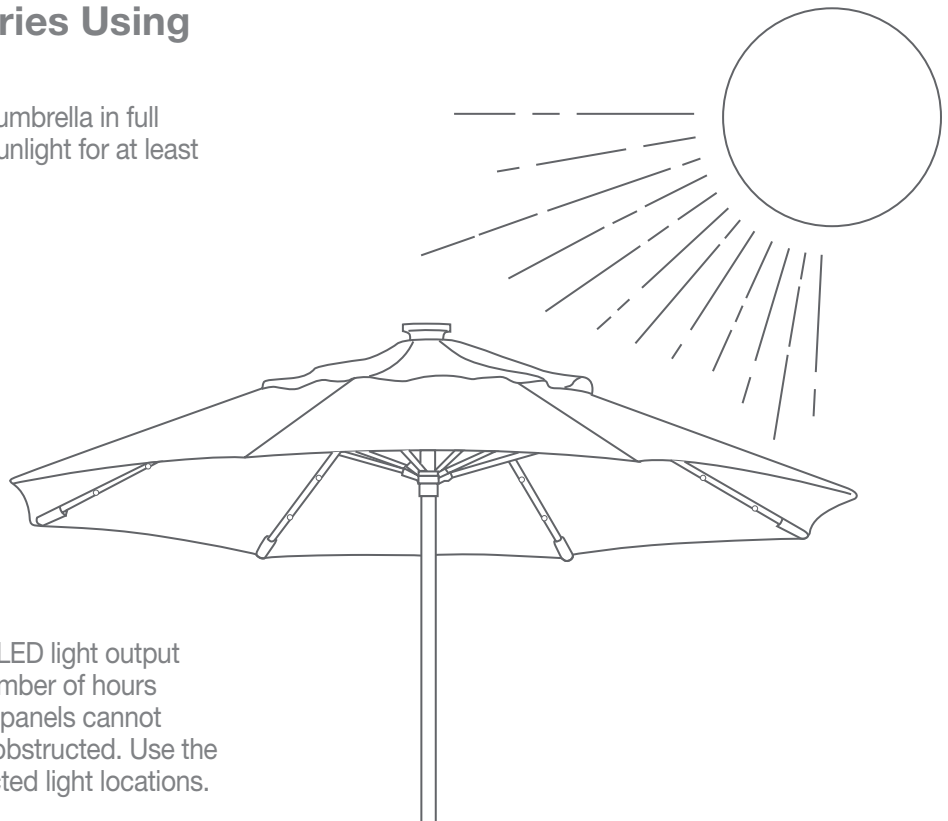


WARNING!

- Risk of electric shock. When used outdoors, install only to a covered Class A GFCI-protected receptacle that is weatherproof with the power unit connected to the receptacle. If one is not provided, contact a qualified electrician for proper installation. Ensure that the power unit and cord do not interfere with completely closing the receptacle cover.

Charging the Batteries Using the Solar Panel

Place the fully assembled solar umbrella in full sun where it will receive direct sunlight for at least 8 hours per day.



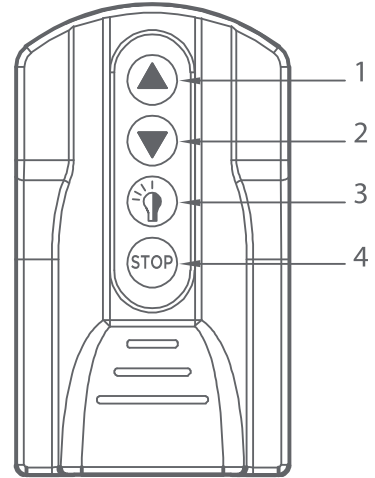
NOTE: The number of hours of LED light output is directly proportional to the number of hours of sunlight it receives. The solar panels cannot recharge the batteries if light is obstructed. Use the Power Adapter in low or obstructed light locations.

Using the Controls

Function of the buttons on the remote and crank housing:

1. UP umbrella
2. DOWN umbrella
3. LED Lights ON/OFF
4. STOP/RESET

Umbrella functions can be controlled from either the crank housing or the remote control.



WARNING!

- Make sure the umbrella opening path is clear before activating the Up or Down controls.

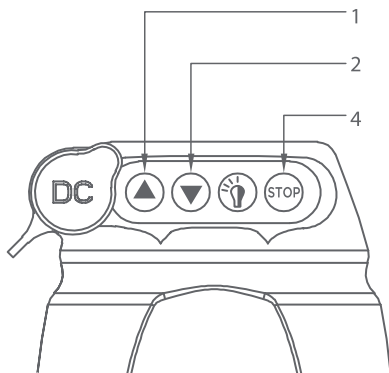


CAUTION!

- Release cover closure strap before raising umbrella.

Opening /Closing the Umbrella

- Press the ▲ button (1) to open the umbrella
- To lower the umbrella, press the ▼ button (2).
- Press the Stop button (4) at any time to cancel.



Turning the Led Lights ON/OFF

- Press the On/Off button (3) to activate the LEDs. Lights will toggle On/Off each time the button is pressed.
- Press the Stop button (4) any time to cancel.

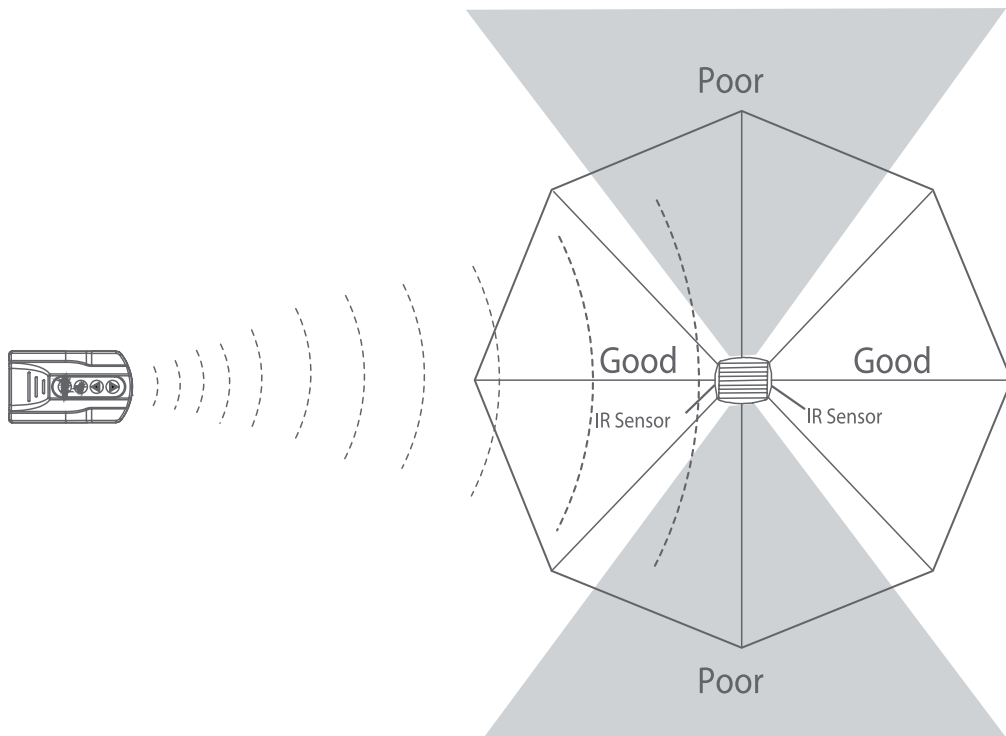
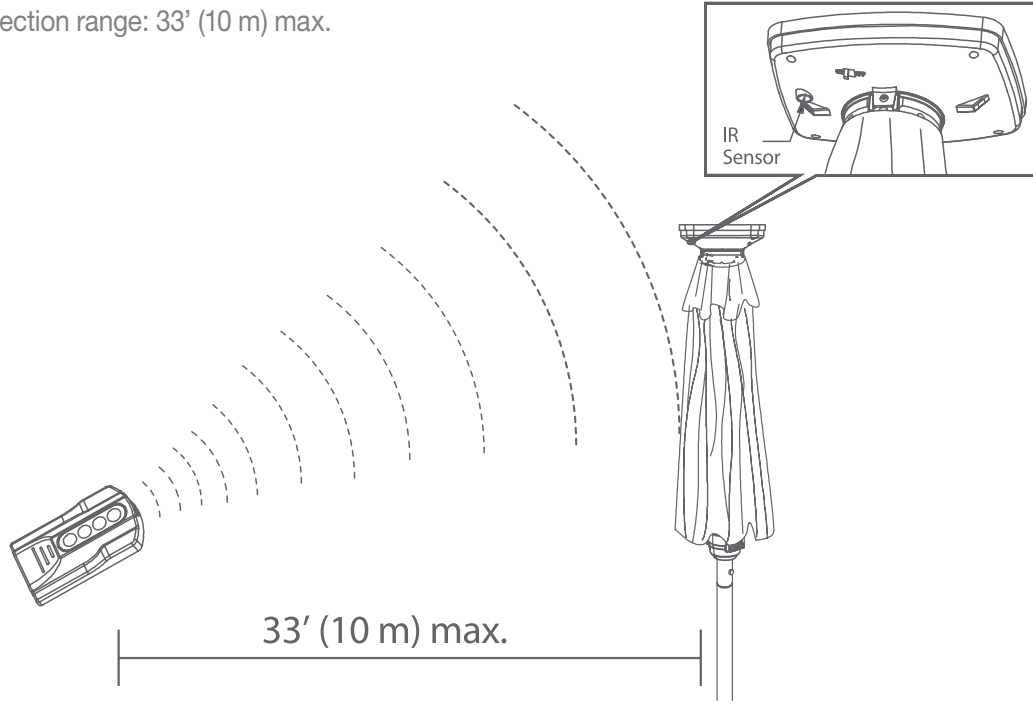


NOTE: Make sure the locking pin is removed before closing umbrella.

Using the Remote Control

The IR remote control uses invisible light to control umbrella functions. The remote must be pointed directly at the solar panel assembly, have a clear line of sight to the IR sensors and be within detection range for proper operation.

Remote detection range: 33' (10 m) max.



Understanding the Solar Panel Indicator Lights & Sounds

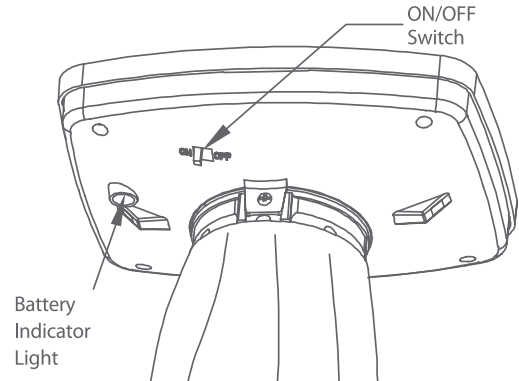
The solar panel housing is equipped with advanced electronics to provide visible and audible system status.

Indicator Light

Light	Colour	Switch	Status
OFF	N/A	OFF	System OFF
OFF	N/A	ON	System OFF due to low battery charge
ON	Red	ON	System ON with low battery charge
ON	Green	ON	System ON with full battery charge

Indicator Sounds

Sound	Status
1 Beep	Command Received
2 Beeps	System ON or Command Rejected



NOTE: If the umbrella fails to respond to commands, press the STOP button on the crank housing control panel to reset. Confirm the ON/OFF switch is in the ON position and the indicator light is ON (Green or Red).

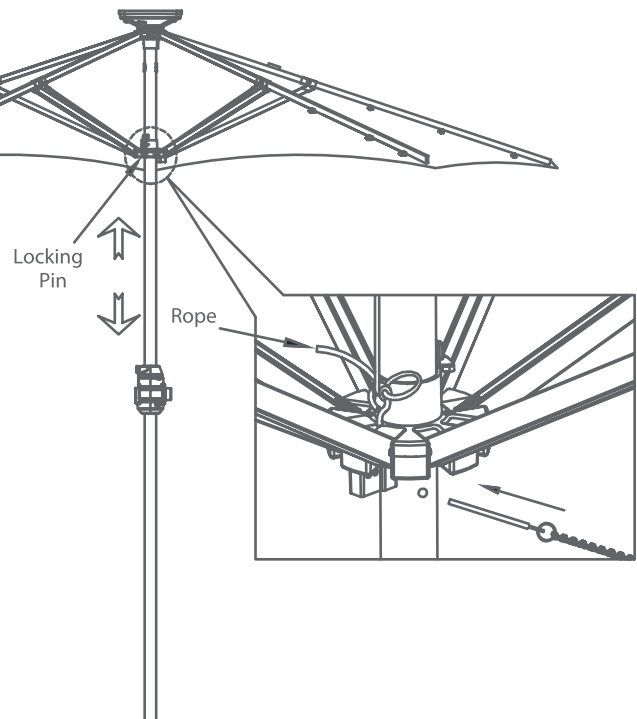
Locking Pin & Manual Release

Insert the locking pin through both adjustment holes to secure in pole when the umbrella is up for an extended period.

Remove the locking pin before lowering the umbrella.

To manually release the umbrella if the motor does not work:

- Insert the locking pin to hold the umbrella.
- Untie the rope of the ring to release the umbrella.
- While supporting the umbrella slider with one hand carefully remove the locking pin and lower the umbrella.



CAUTION!

- Do not operate the UP/DOWN controls with rope untied.

Cleaning the Solar Panel and LEDs

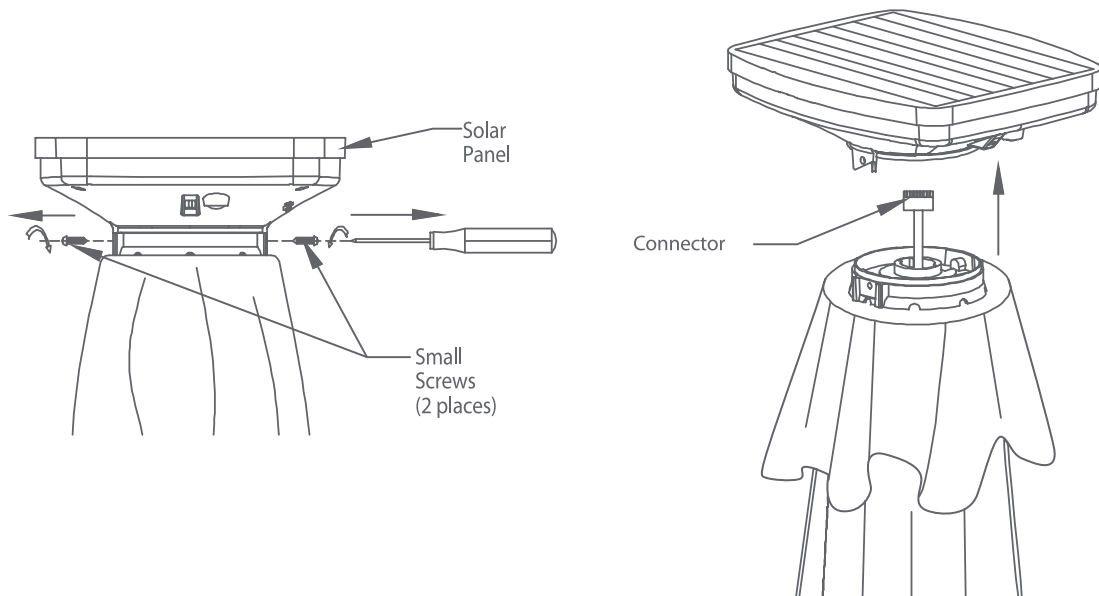
- Gently clean the solar panels and LEDs with a soft cloth. Do not use abrasives or chemicals to clean the solar panels.
- Remove dust and debris using a soft cloth or duster.

Cleaning the Canopy And Frame

- Rinse the umbrella with clear, clean water. If necessary, use gentle fabric cleaner, rated safe for polyester fabrics. Clean the umbrella canopy with a soft brush and mild detergent.
- DO NOT machine wash.
- DO NOT iron.
- Air dry the canopy thoroughly in an open position before storing for extended periods of time.
- Make sure the canopy is completely open during drying process to prevent shrinkage.

Replacing the System Batteries

- Slide the power switch to the OFF position.
- Remove the two screws securing the solar panel / battery compartment assembly to the umbrella.
- Carefully unplug the connector from the battery compartment receptacle.

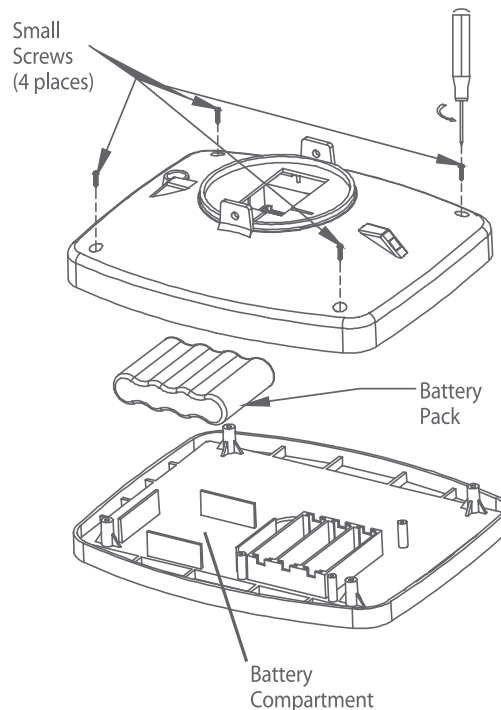


WARNING!

- Use product with supplied 12.8 v/700 mAh Li-Fe battery pack only. Use of any other batteries may create a risk of fire.

Replacing the System Batteries

- Remove the screws securing the battery compartment cover to the solar panel.
- Remove the battery connector from the PC board.
- Replace with genuine battery pack ONLY.
- Re-assemble in reverse order.
- Refer to “Battery Charging” section.
- When replacing batteries make sure the batteries are inserted in the correct polarity position (+/-), as indicated in the battery compartment. Failure to insert the batteries in the correct polarity position may shorten the life of the battery or cause the battery to explode.



Battery Recycling



Do not discard batteries in household waste. Please dispose of used batteries properly. Consult your local telephone listings for a battery recycling centre near your area.



Do not throw Li-Fe batteries into water!



Protect Li-Fe batteries against heat and fire due to risk of explosion.



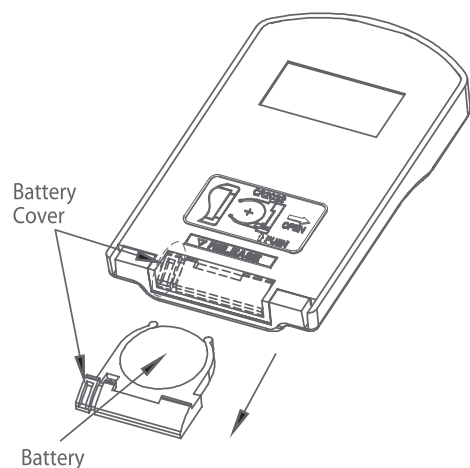
Recycle



Do not allow Li-Fe batteries to freeze.

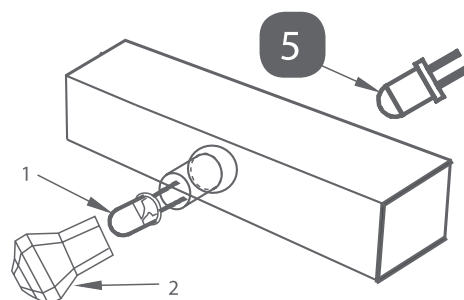
Replacing the Remote Control Battery

- Release the battery cover from the remote.
- Replace the button battery with a new one of the same size and rating.



Replacing the LED

- Turn the LED lights OFF.
- Remove the LED cover (2) by pulling down with a slight rocking and/or twisting motion.
- Grasp the bad LED (1) and gently pull outward to remove.
- Insert the new LED (3) into the socket with the longer of the two wires in the (+) hole and replace the LED cover.



NOTE: If the new LED fails to work, reverse polarity.

CAUTION: Rechargeable batteries contain nickel-cadmium or nickel-metal hydride and must be recycled or disposed of properly. Do not mix old and new batteries. Do not mix alkaline, standard (carbon-zinc), or rechargeable batteries. Do not dispose of batteries in fire. Batteries may explode or leak.

Troubleshooting Tips

If your solar light does not come on at dusk despite following all instructions please try the following steps:

1. Make sure that the solar light is not affected by any other light source.
2. Ensure the solar light does not stand in the shade all day.
3. Check to see if the batteries are installed correctly.
4. If there is a protective film on the solar panel carefully remove.

Care Information

1. Clean any dirt and debris from the solar panel. The panel cannot recharge if the light is obstructed. Use a soft cloth to clean the panel. Do not use abrasives or chemicals that might scratch or damage the UV coating.
2. In a region where snow and ice are likely and the light assembly is covered with snow for an extended period of time the batteries will require a recharge for at least 8 hours.

1-Year Limited Product Warranty

This product is covered under a one year limited warranty. Fusion Products Ltd. warrants to the original purchaser that this product is free from defects in materials and workmanship for the period of one year warranty from date of purchase.

For Technical Support and/or Warranty inquiries please contact:

Fusion Products Ltd.

Monday to Friday

8:30-5:00 PM EST

2905 Argentia Road, Unit 2,3

Mississauga, Ontario L5N 8G6

Tel: 1-877-615-1378 Fax: (905) 812-3256

Email: sales@fusionproducts.ca