

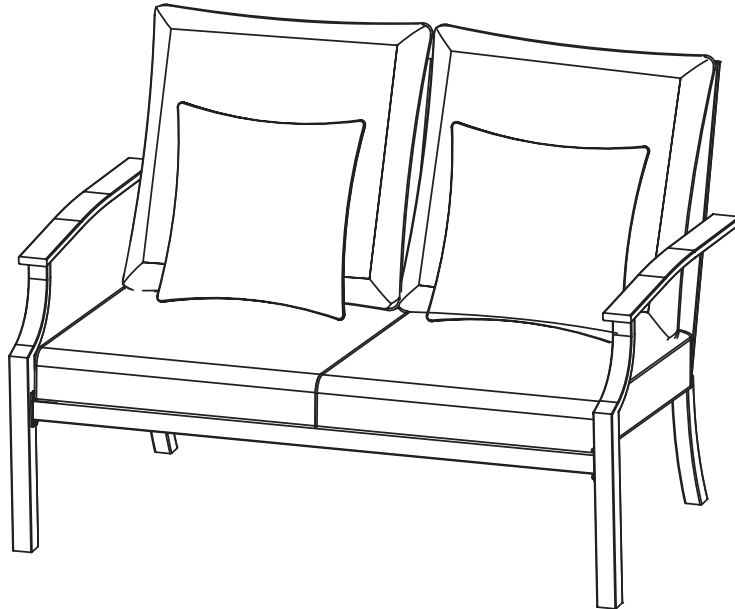
# LAKESIDE CUSHION LOVESEAT

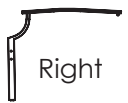

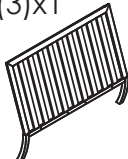







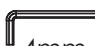

## ASSEMBLY INSTRUCTIONS

**CTC ITEM#088-1589 (SC-K-351DF)**



Please read and understand this manual before any assembly.  
Before beginning assembly of product, make sure all parts are present.  
Compare parts with packaging contents list. IF any part is missing, or if you have any questions, contact the vendors customer service department at 1-877-729-8315.



(1)x1  Right	(2)x1  Left	(3)x1 	(4)x1 	(5)x2 	(6)x2 	(7)x2 
(A)x8+1  M6x15L	(B)x2  M6x40L	(C)x10  M6	(D)x1  4mm	(E)x1 		

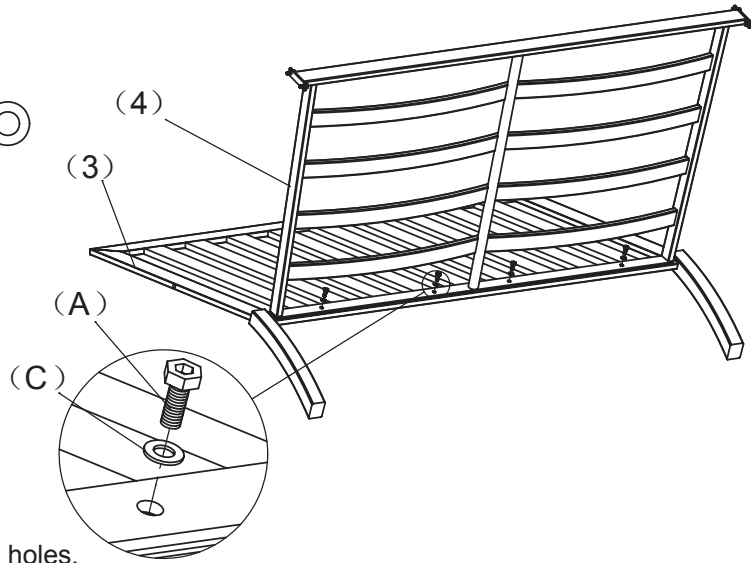
## ASSEMBLY INSTRUCTIONS

1

A x 4  
M6 x 15L Bolt



C x 4  
M6 Washer



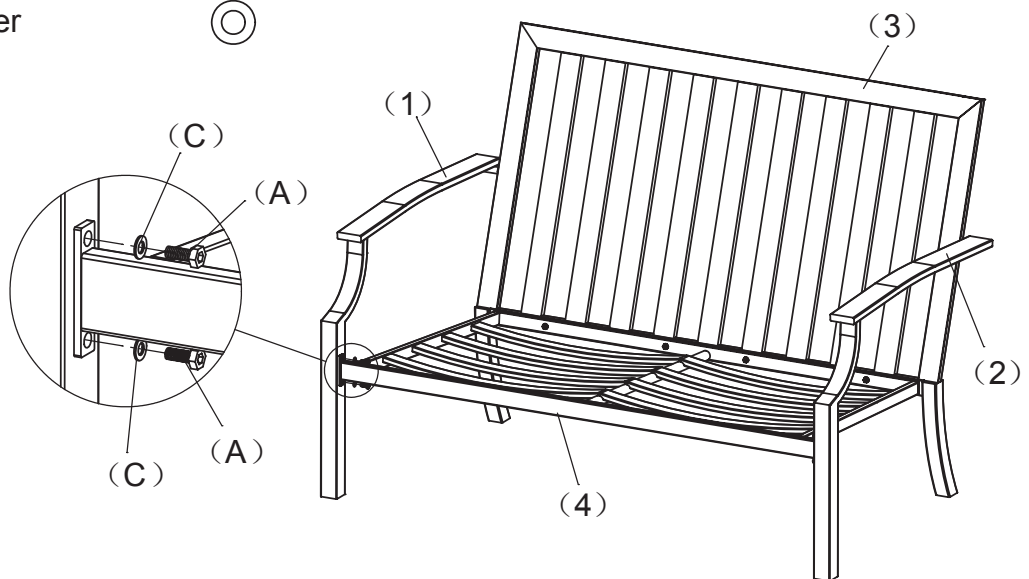
Don't tighten completely.  
Repeat procedure for the other three holes.

2

A x 4  
M6 x 15L Bolt



C x 4  
M6 Washer



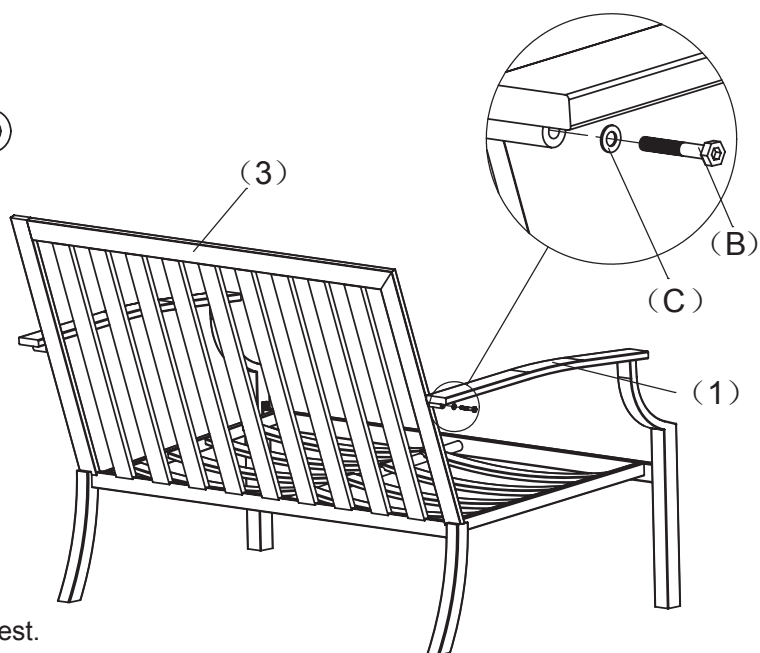
Don't tighten completely.  
Repeat procedure for the other hole.  
Repeat procedure for the other armrest.

**3**

B x 2  
M6 x 40L Bolt



C x 2  
M6 Washer

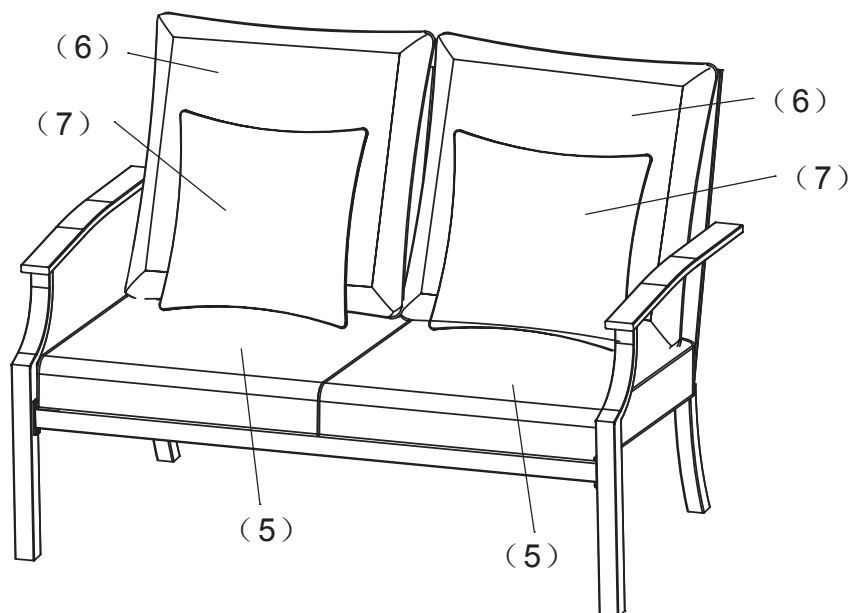


Don't tighten completely.

Repeat procedure for the other armrest.

Securely tighten all bolts.

**4**



Your cushion loveseat is now ready for use.

NUMARK INDUSTRIES COMPANY LTD.,  
PRINTED IN CHINA