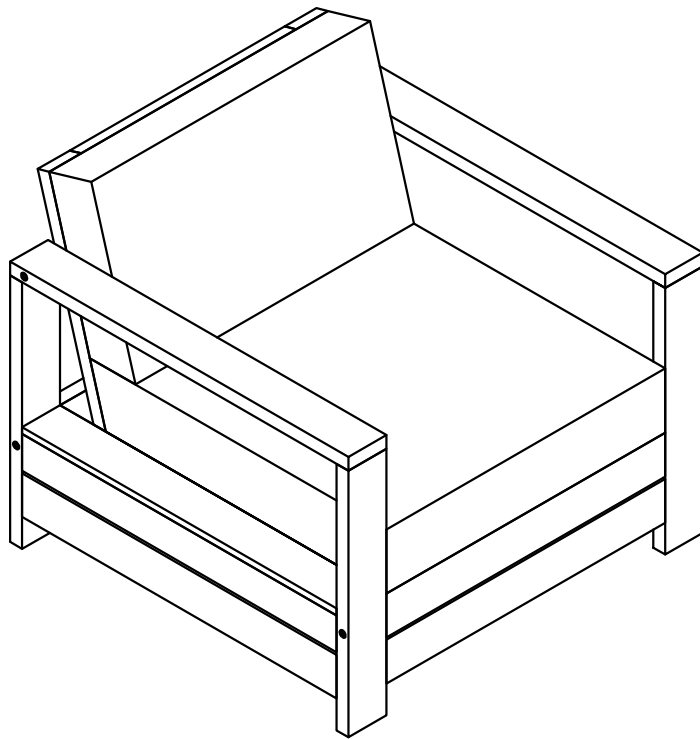


# CANVAS<sup>TM/MC</sup>

## MODENA OVERSIZED CLUB CHAIR

PRODUCT NO. 088-0765-2

MODEL NO. HUC23371



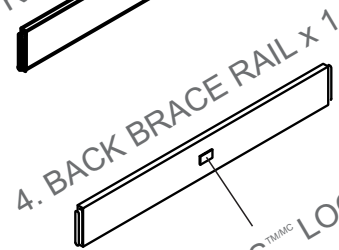
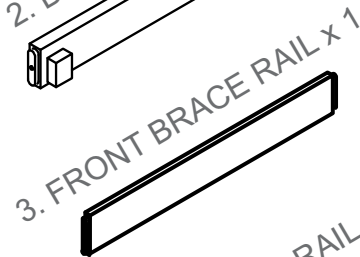
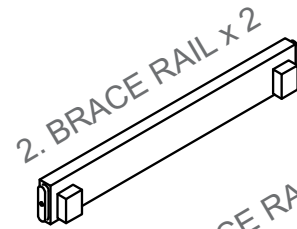
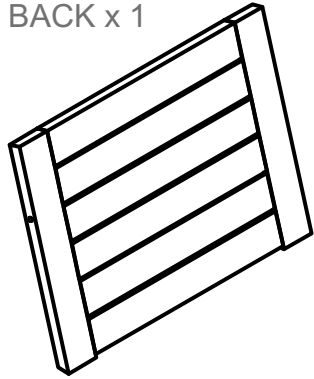
### ASSEMBLY INSTRUCTIONS

IMPORTANT: Please read this manual carefully before beginning assembly of this product.  
Keep this manual for future reference.

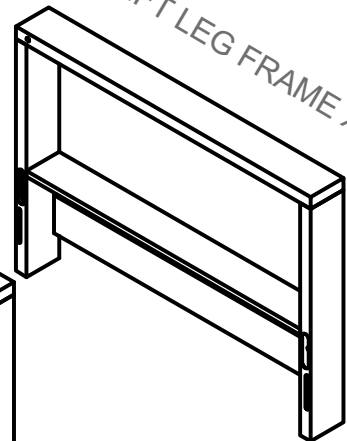
Service Centre Toll-Free No.  
Tel: 1-800-916-9390  
Fax: 1-905-264-1154

## PARTS LIST

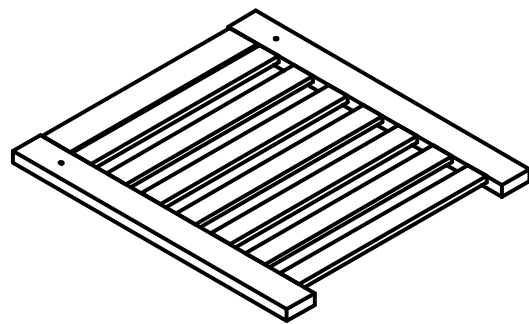
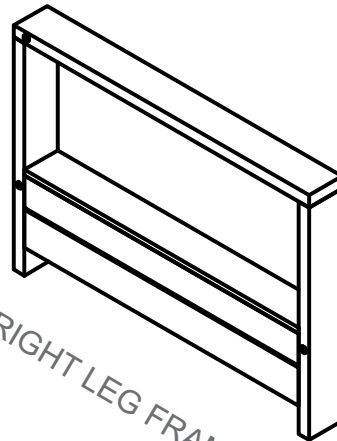
1. BACK x 1

CANVAS<sup>TM/MC</sup> LOGO

5. LEFT LEG FRAME x 1



6. RIGHT LEG FRAME x 1



7. BASE x 1

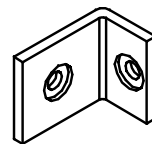
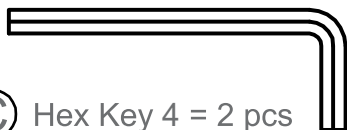


A Screw M7 x 130 = 6 pcs



B Screw M7 x 60 = 2 pcs

C Hex Key 4 = 2 pcs



D Bracket L 25 x 20 x 15 = 2 pcs



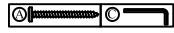
E Screw M4 x 15 = 4 pcs



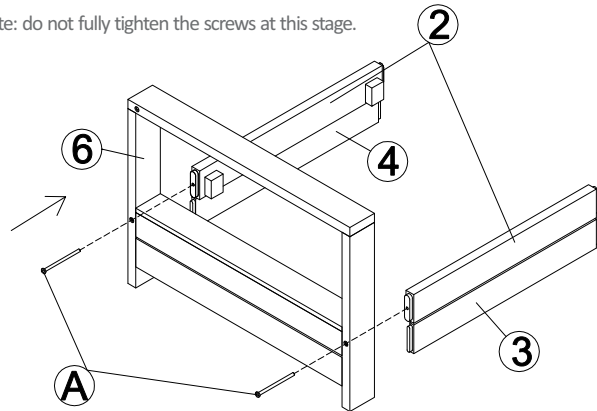
F Screwdriver = 1 pc

**Step 1:**

Requires 2, 3, 4, 6, A and C  
 Insert screws (A) through the right leg frame (6) into brace rails (2, 3 and 4).  
 Secure in place using the hex key (C).

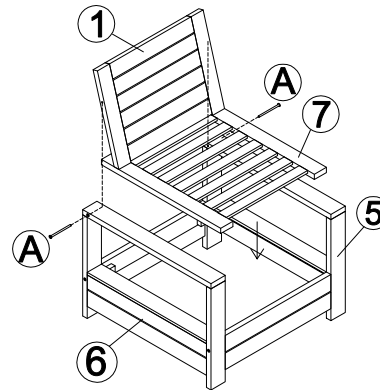
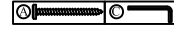


Note: do not fully tighten the screws at this stage.



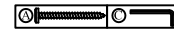
**Step 4:**

Requires 1, 5, 6, 7, A, and C  
 Position the back (1) and the base (7) on the assembled frame as illustrated below.  
 Insert screws (A) through leg frames (5 and 6) and into the back (1).  
 Secure in place using the hex key (C).

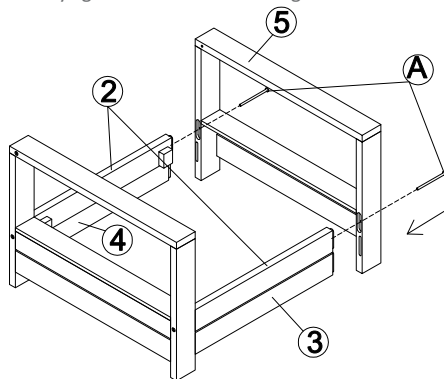


**Step 2:**

Requires 2, 3, 4, 5, A, and C  
 Insert screws (A) through the left leg frame (5) into brace rails (2, 3 and 4).  
 Secure in place using the hex key (C).

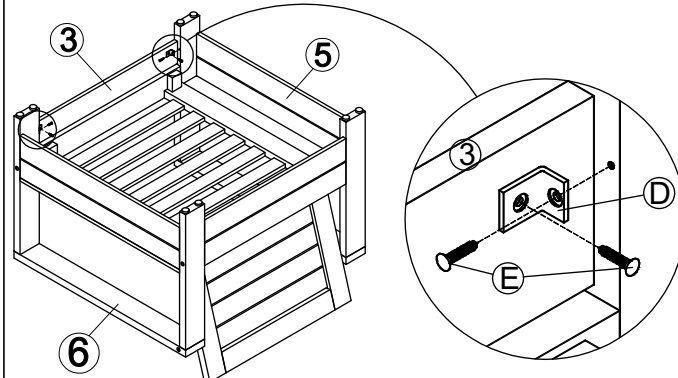


Note: do not fully tighten the screws at this stage.



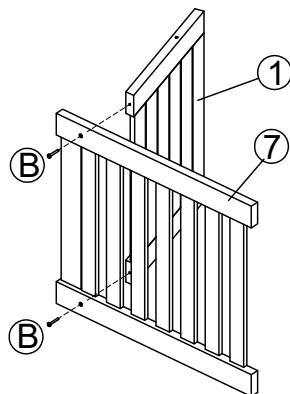
**Step 5:**

Requires 3, 5, 6, D, E, and F  
 Place brackets (D) on leg frames (5 and 6) and brace rail (3).  
 Secure bracket (D) in place using screw (E) and screwdriver (F).



**Step 3:**

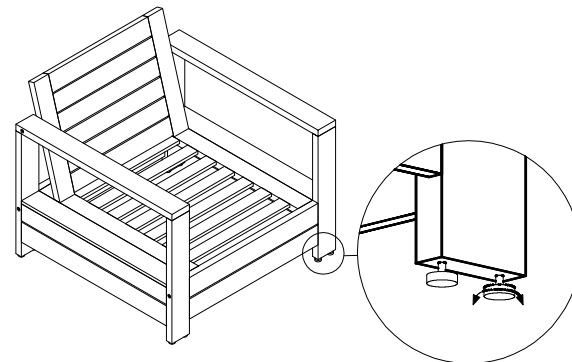
Requires 1, 7, B, and C  
 Insert screw (B) up through the base (7) and into the back (1).  
 Secure in place by using the hex key (C).



**Step 6:**

Finished.

Note: fully tighten all the screws before use.



**CAUTION**

- Keep children away during assembly.
- This product contains small parts which can be swallowed by children.
- If any parts are missing, do not attempt to assemble the chair.

Made in Vietnam

Imported by  
 Trileaf Distribution Trifeuil Toronto,  
 Canada M4S 2B8

**WARRANTY:**

This product is covered by a one year manufacturer's limited warranty. To ensure your complete satisfaction, this warranties to the original purchaser that this furniture be free of manufacturing defects. If you have a frame failure within the first year of ownership, we will repair or replace at our option. We reserve the right to make a substitution with similar merchandise if the model in question is no longer in production. This warranty does not cover commercial use, acts of nature, fire, freezing, or abusive use. In addition, faded cushions and purchased parts are not covered in this warranty. Proof of purchase (dated register receipt) is required for warranty claims. It remains the customers responsibility for freight and packing charges to and from our service centre.

Tel : 1-800-916-9390

Fax : 1-905-264-1154