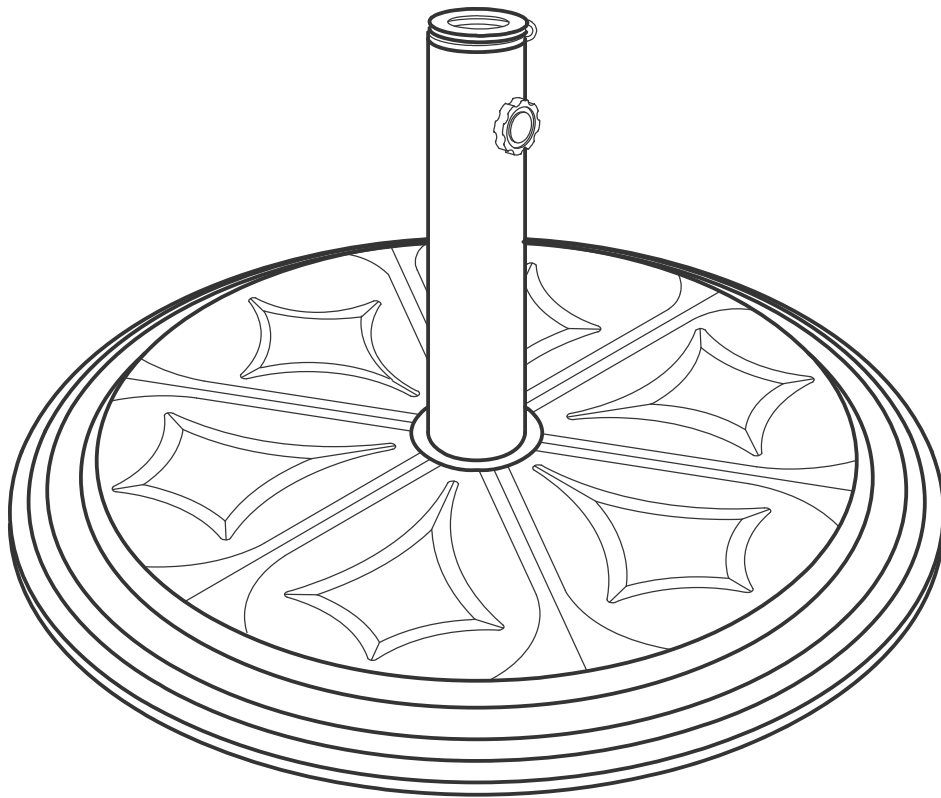


for **LIVING**™
MC

Umbrella Base

Model No. 088-0732-0



Assembly Instructions

IMPORTANT: Please read this manual carefully before beginning assembly of this product.
Keep this manual for future reference.

Made In China

Imported by Trileaf Distribution Trifeuil Toronto, Canada M4S 2B8

Table of Contents	3
Important Safety Instructions	3
Parts List	4
Assembly	5
Technical Data	6
Warranty	6



DO NOT over-tighten any of the bolts or nuts. Tighten each bolt and nut until secure.
DO NOT attempt to over-tighten as this may cause DAMAGE to the threads and umbrella pole.

ENSURE that all nuts are not cross threaded before tightening commences. Repeated assembly can weaken the locking ability of the washers. Periodically check all bolted connections on your furniture to make sure they are tight and secure.

IMPORTANT: RETAIN FOR FUTURE REFERENCE, AND READ CAREFULLY



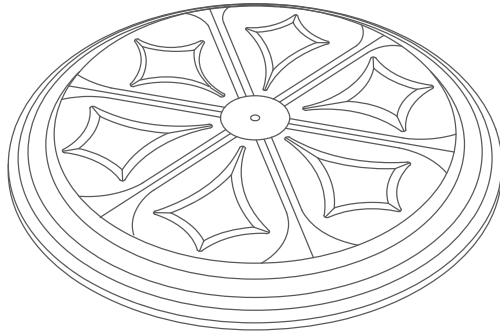
A

Adjustable handle - **1**



B

Umbrella pole - **1**



C

Umbrella base - **1**

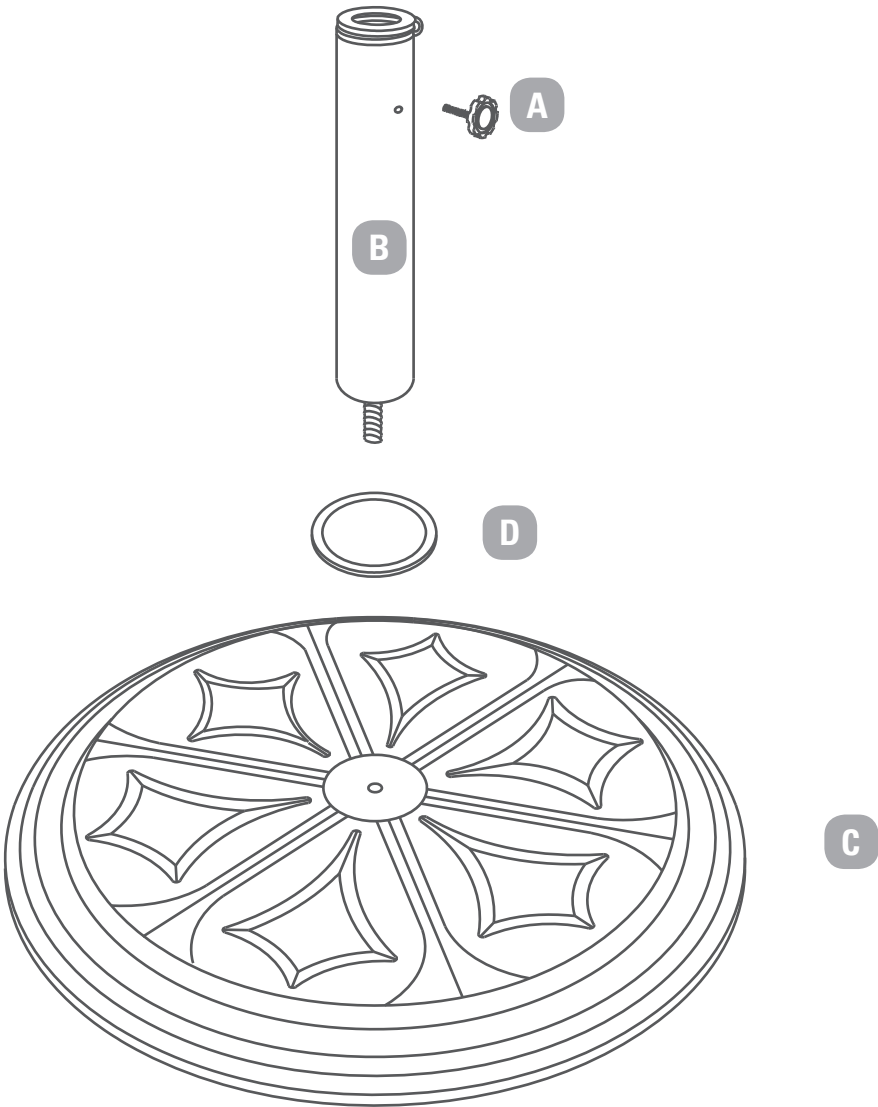


D

Plastic pad - **1**

Step 1:

Attach adjustable handle (A) to umbrella pole (B), connect umbrella pole (B) to umbrella base (C) using plastic pad (D).



Dimensions	19 5/8" Diameter x 13 " H
------------	---------------------------

	50 x 33 cm
--	------------

Product weight	18 kg
----------------	-------

	40 lb
--	-------

This For Living™ product carries a one (1) year warranty against defects in workmanship and materials. Trileaf Distribution agrees to replace the defective product free of charge within the stated warranty period, when returned by the original purchaser with proof of purchase. This product is not guaranteed against wear or breakage due to misuse and/or abuse.