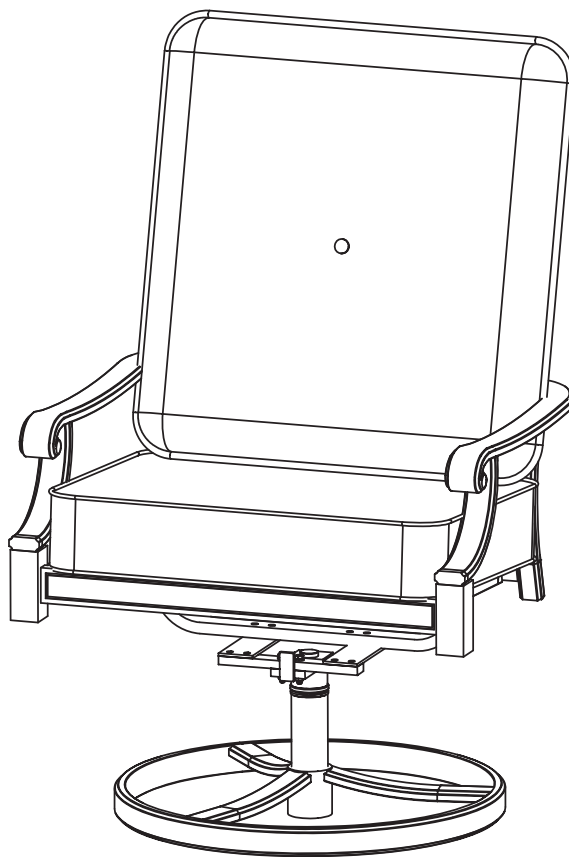


CANVAS^{TM/MC}

COVINGTON COLLECTION SWIVEL ROCKER

MODEL NO. 088-0713-6



ASSEMBLY INSTRUCTIONS

Toll-free: 1-877-729-8315

IMPORTANT: Please read this manual carefully before beginning assembly of this product.
Keep this manual for future reference.

Important Safety Instructions	2
Table of Contents	2
Parts List	3
Assembly	4-6
Cleaning and Maintenance	7
Technical Specifications	7
Warranty	7

- **SET UP YOUR FURNITURE PROPERLY**

Ensure that all parts are assembled properly and fully tightened as per the instructions. When placing in the desired location, ensure that all legs are resting on the same surface. You may adjust the legs levelers as required to ensure that the item stands in a rigid position.

- **EXAMINE YOUR FURNITURE**

Examine occasionally to ensure that there are no loose parts. If loose parts are found, they must be retightened fully before additional use.

- Do not completely tighten bolts and nuts until indicated in assembly step.

IMPORTANT: Retain for future reference, and read carefully.

3 NODEL NO. 088-0713-6**1**

Seat and back - 1

**2**

Base - 1

**3**

"T" shaped connector - 1

**4**

centre post - 1

**5**

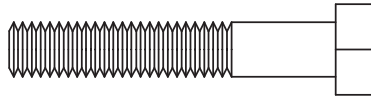
Seat cushion - 1

**6**

Back cushion - 1

**A**

M8*40 bolt - 2

**B**

M8 lock washer - 2

**C**

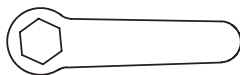
M8 washer - 2

**D**

M8 nut - 2

**E**

Hex wrench - 1

**F**

Open hex wrench - 1





Let us help you!

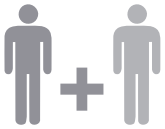
**DO NOT RETURN YOUR PRODUCT TO THE STORE. CALL US FIRST!
1-877-729-8315**

If you have questions regarding your product, require warranty assistance, or have damaged or missing parts, please call our customer service toll-free helpline. Contact us for assistance; we're here to help.

IMPORTANT: Please read and understand this manual before any assembly. Before beginning assembly of product, make sure all parts are present. Compare parts with packaging contents list. If any part is missing, or if you have any questions, contact the service centre at 1-877-729-8315 (toll-free).

Place all parts from the box in a cleared area and position them on the floor in front of you. Remove all packing materials and place them back into the box. Do not dispose of the packing materials until assembly is complete. Read each step carefully before beginning any assembly and make sure you understand each step. If you are missing a part, please call our toll-free number for assistance: 1-877-729-8315 9:00AM-4:00PM

Needed for assembly:



2 people

5 NODEL NO. 088-0713-6

Step 1

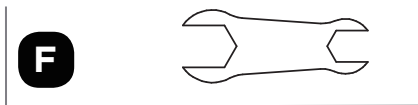
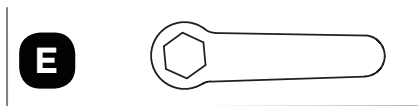
Requires **1, 3, A, B, C, D.**

Attach seat and back **1** to "T" shaped connector **3** with bolt **A**, lock washer **B**, washer **C** and secure with a nut **D**.

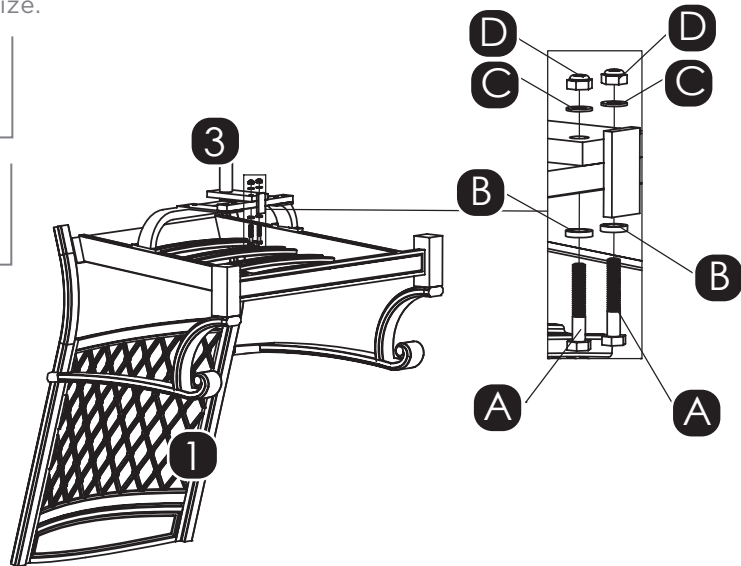
Secure all bolts and nuts with hex wrench **E** and open hex wrench **F**.



Washer & bolt shown at actual size.



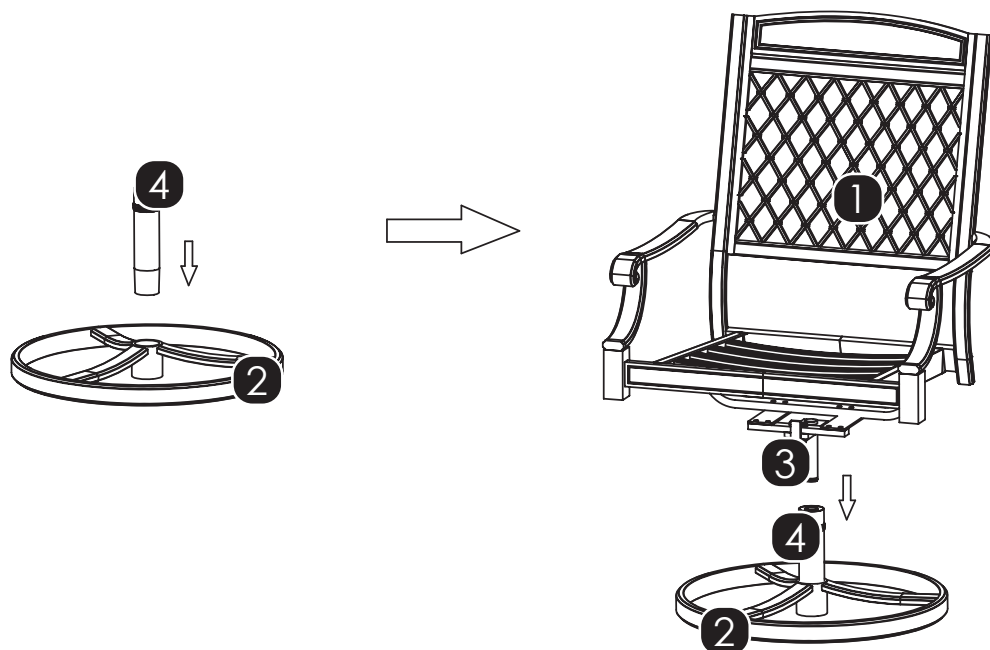
Not actual size.



Step 2

Requires **1, 2, 3, 4.**

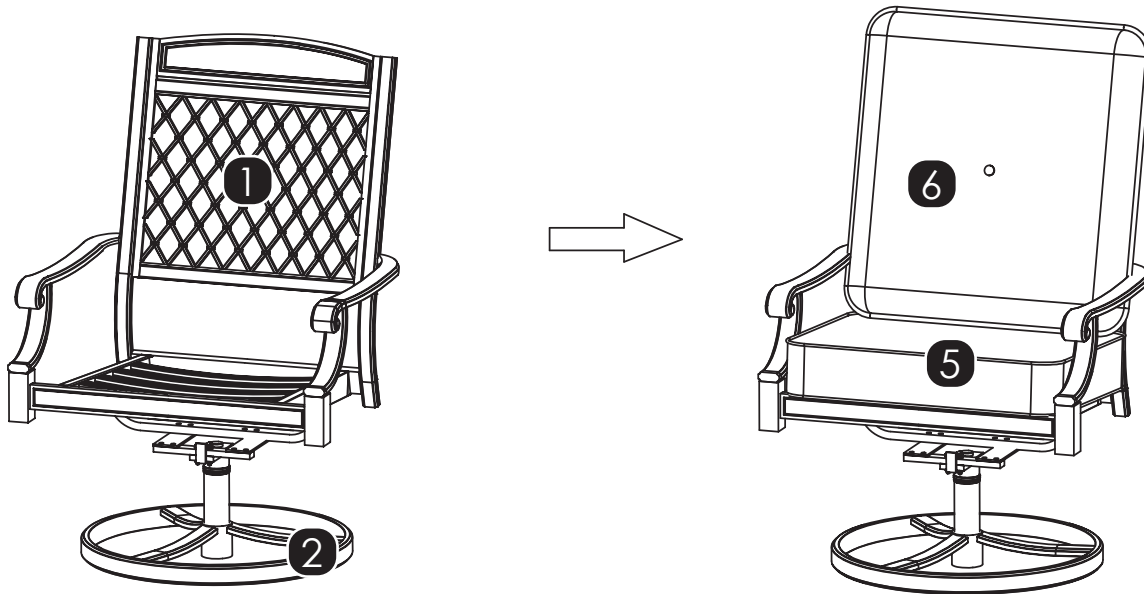
Insert the centre post **4** into the hole located at the centre of the base **2**.
Align connector of the seat and back **1** with the hole in centre post **4**.



Step 3

Requires **1, 2, 5, 6.**

Place seat cushion **5** and back cushion **6** onto the chair.



7 **NODEL NO. 088-0713-6**

- Aluminum frames will never rust. In case of scratches to the powder-coated paint finish, lightly sand the affected area and apply touch-up paint.
- Wash frames with a mild solution of soap and water; rinse thoroughly. Do not use bleach or solvents.
- CARING FOR OUTDOOR FURNITURE WITH CUSHIONS:
Wash frames and cushions with a mild solution of soap and water; rinse thoroughly. Dry frame completely and allow cushions to drip-dry. Do not use bleach or solvents.

Dimensions (L x W x H)	71 x 66.5 x 100 cm
	28 x 26 1/4 x 39 1/2"
Product weight	12 kg
	27 lb

WARRANTY

This CANVAS™ product carries a five (5) year warranty against defects in workmanship and materials.

We warrant our products to be free of manufacturing defects to the original purchaser for the period listed below. We reserve the right to make substitutions with similar merchandise, if the model in question is no longer in production.

EXCLUSIONS

This warranty does not cover: lowercase used for commercial or non-residential purposes; failures caused by improper care; unreasonable or abusive use; freeze damage; or acts of nature. Steel products are not covered against rust. Tempered glass table tops are not covered against breakage.

FINISH

Frame finish is warranted to be free of manufacturing defects for a period of one (1) year. Discolouration or fading of the finish as a result of exposure to the elements, chemicals, or spills is not covered.

FABRIC

Fabric is warranted to be free of manufacturing defects for a period of one (1) year. Discolouration or fading of the fabric as a result of exposure to the elements, chemicals, or spills is not covered.

