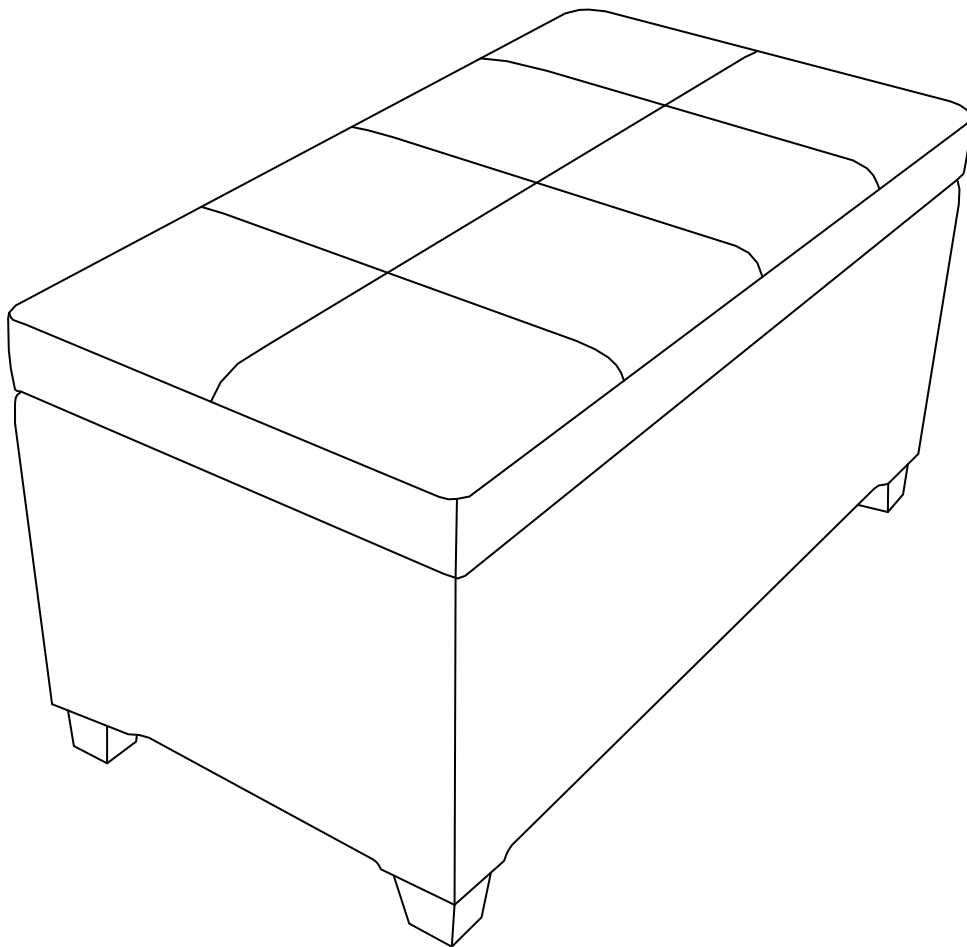




# Storage Bench with Hinge

Product No. 068-7901-4



## Assembly Instructions

**Toll-free: 1-877-483-6759**

**IMPORTANT:** Please read this manual carefully before beginning assembly of this product. Keep this manual for future reference.

When it comes to products for your home, it's essential they stand up to the realities of everyday family life. Designed with your family in mind, For Living™ products combine timeless style and family-friendly features. Now you can focus on what's important—creating lasting memories with your family.

Made in China

Imported for Trileaf Distribution Trifeuil Toronto, Canada M4S 2B8

Table of Contents	3
Important Safety Instructions	3
Part List	4
Assembly	5-6
Cleaning and Maintenance	7
Technical Data	7
Warranty	8



**Warning!** To reduce the risk of serious injury, read the following safety instructions before assembling and using the product.

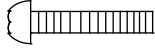
**Caution!** Always keep children under close supervision while they are using or around this product. Never leave children unattended.

- This product is intended for indoor use only.
- Keep children and pets away while setting up the product.
- Ensure that the parts are correct and complete before assembly.
- Product should be placed horizontally on flat ground.
- Screws and joints should be re-tightened regularly.
- Not intended to seat more than one person.
- Please store the product in a dry and clean area.
- Retain the original packaging to store the product.
- Do not light any fires on or near the product!
- Do not stand or step on this product.
- The maximum weight capacity for this product is 220 lb 7 oz (100 kg).
- Children should use this product under adult supervision only.
- Do not sit on the front edge of the product. Do not lean on any two legs.
- Do not use this product unless all bolts and screws are firmly secured.
- Failure to follow these warnings could result in serious injury.

A

Bolt

- 4



B

Washer

- 4



C

Hex Key

- 1



1

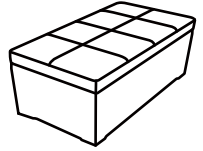
Foot

- 4



2

Bench with Hinge - 1




**Caution!**

- Proper placement of the product is essential.
- Keep children away during assembly.
- This product contains small parts which can be swallowed by children.
- Keep fingers away from the places where they can be pinched or trapped.
- Do not attempt to assemble the product if any parts are missing.


**Let us help you!**

**DO NOT RETURN YOUR PRODUCT TO THE STORE. CALL US FIRST!**

**1-877-483-6759**

If you have questions regarding your product, require warranty assistance, or have damaged or missing parts, please call our customer service toll-free helpline. Contact us for assistance, we're here to help.

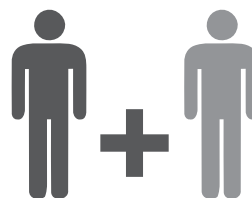
**IMPORTANT:** Please read and understand this manual before any assembly. Before beginning assembly of product, make sure all parts are present. Compare parts with packaging contents list. If any part is missing, or if you have any questions, contact the service center at 1-877-483-6759 (toll free).

Place all parts from the box in a cleared area and position them on the floor in front of you. Remove all packing materials and place them back into the box. Do not dispose of the packing materials until assembly is complete.

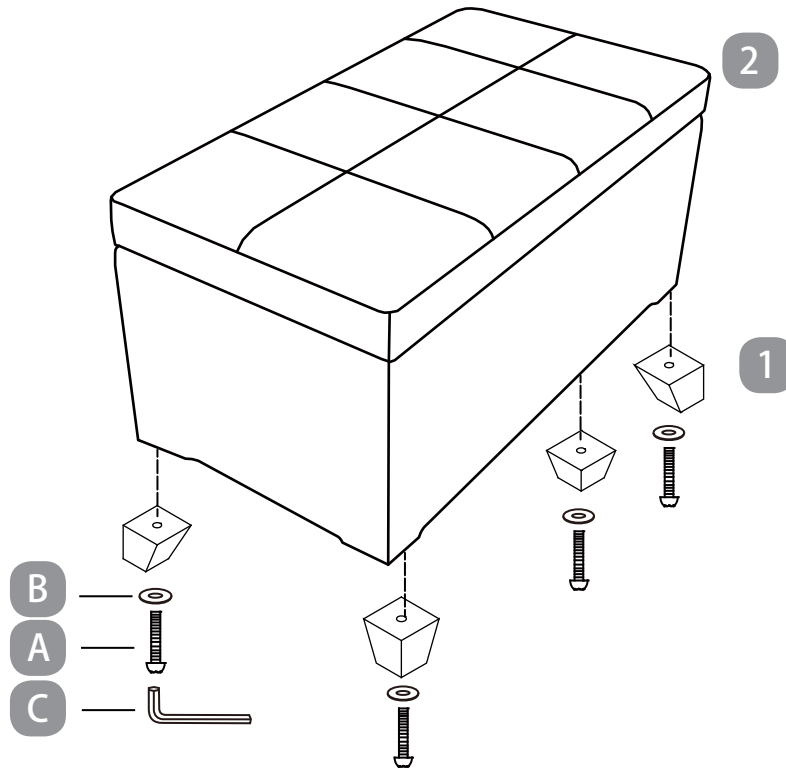
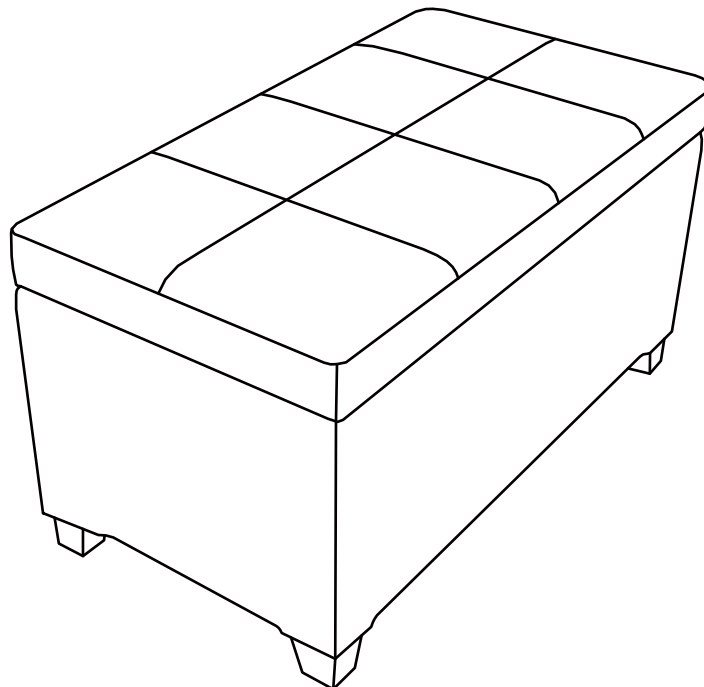
Read each step carefully before beginning any assembly and make sure you understand each step. If you are missing a part, please call our toll-free number for assistance 1-877-483-6759.

**Needed for assembly:**


Hex key



2 people

**Step 1****Requires A, B, C, 1, 2****Step 2****Check the tightness of the screws.**



**Caution!**

- Use the hex key (C) and tighten all bolts.
- Please make sure all bolts are placed in their proper positions and then are tightened securely to ensure your safety.
- Cleaning: wipe with a soft cloth.  
Never use harsh chemicals or abrasive cleaners for polishing.

Dimensions (L x W x H)

80 x 43 x 43 cm

31 1/2 x 16 15/16 x 16 15/16 "

Product weight

9.0 kg

19 lb 13 1/2 oz

This For Living™ product carries a one (1) year warranty against defects in workmanship and materials.

Trileaf Distribution agrees to replace the defective product free of charge within the stated warranty period, when returned by the original purchaser with proof of purchase.

This product is not guaranteed against wear or breakage due to misuse and/or abuse.