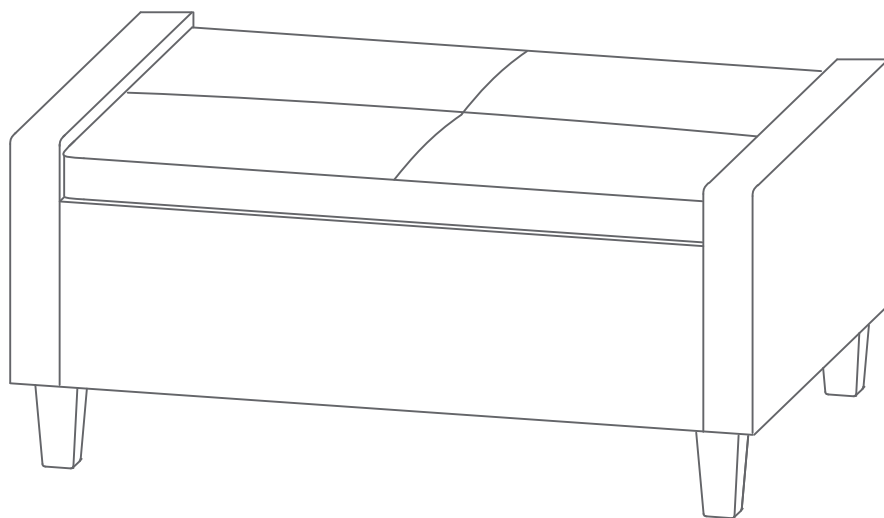


CANVAS^{TM/MC}

STREETER STORAGE OTTOMAN

MODEL NO. 068-7543-6



ASSEMBLY INSTRUCTIONS

IMPORTANT: Please read and understand this manual before any assembly. Before beginning assembly of product, make sure all parts are present. Compare parts with packaging contents list. If any part is missing, or if you have any questions, contact the service centre at 1-888-670-6684 (toll-free).

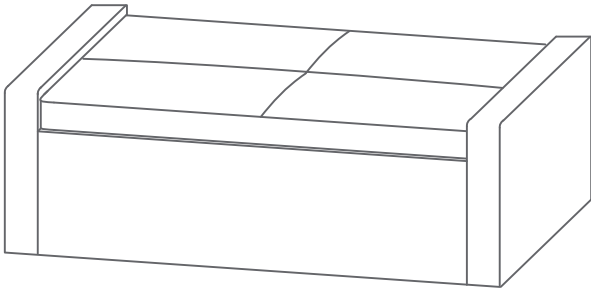
Made in China

Imported by
Trileaf Distribution Trifeuil Toronto, Canada M4S 2B8

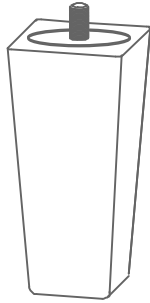
Table of Contents	3
Parts List	4
Assembly	5
Warranty	7

IMPORTANT: Retain for future reference, and read carefully.

4 Toll-free: 1-888-670-6684 | model no. 068-7543-6



A
Ottoman - 1



B
Foot - 4



Warning! To reduce the risk of serious injury, read the following safety instructions before assembly.

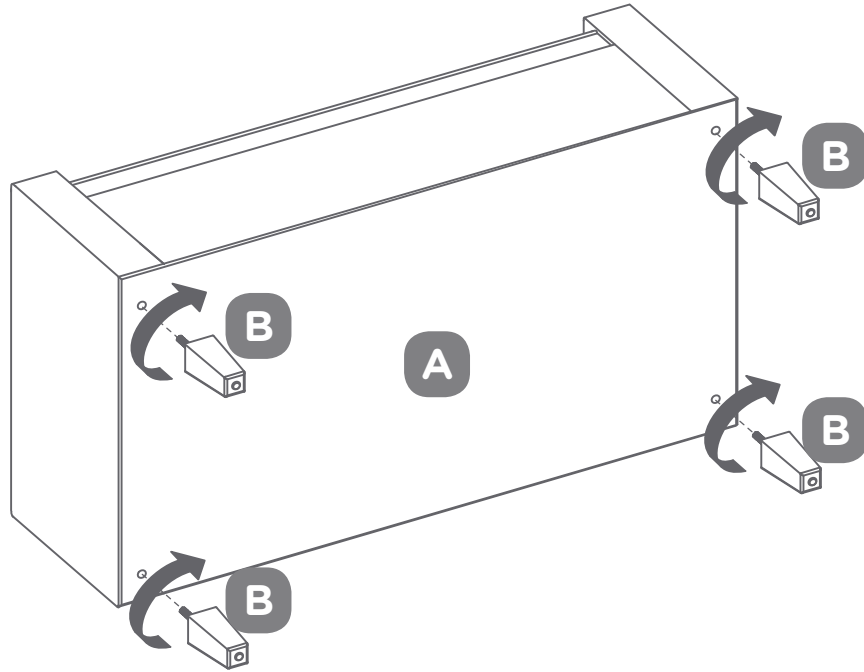
- Read each section carefully before starting. It is very important that each step is performed in the correct order. If these steps are not followed in sequence, assembly difficulties will occur.
- Make sure all parts are included. Most board parts are labelled or stamped on the raw edge.
- Work in spacious area, preferably on a carpet, near the place the unit will be located.
- Do not use power tools to assemble your furniture. Power tools may strip or damage the parts

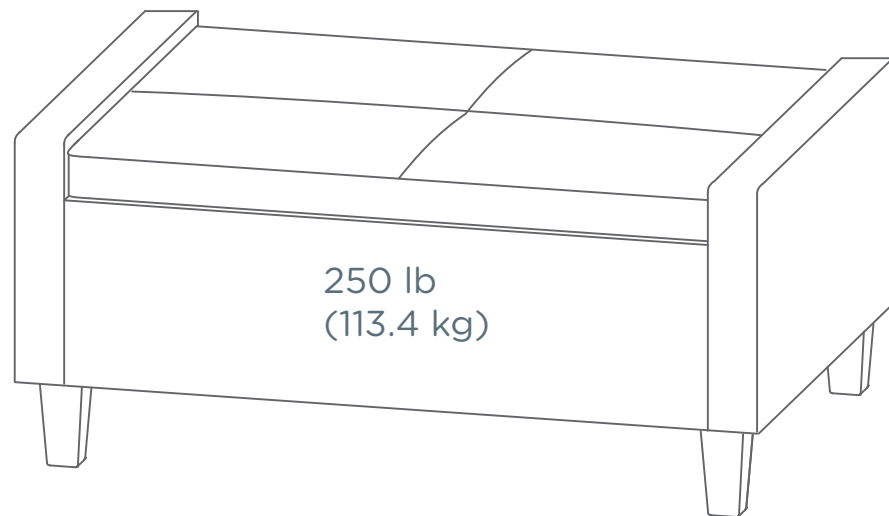
HELPFUL HINTS

- Identify, sort and count the parts before beginning assembly.
- Clean the product with your choice of furniture polish and a soft cloth. DO NOT USE harsh chemicals or abrasive cleaners.
- Move your new furniture carefully. Two people are needed to lift and carry the unit to its new location.
- Never push or drag your furniture (especially on a carpet).

Step 1

Requires **A**, **B**



**WEIGHT LIMITS**

This unit has been designed to support the maximum loads shown. Exceeding these load limits could cause sagging, instability, product collapse, and/or serious injury.

This CANVAS™ product carries a one (1) year warranty against defects in workmanship and materials. Trileaf Distribution agrees to replace the defective product free of charge within the stated warranty period, when returned by the original purchaser with proof of purchase. This product is not guaranteed against wear or breakage due to misuse and/or abuse.