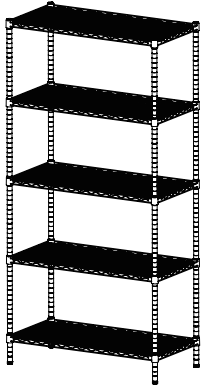




5-Tier Wire Shelving

Product No. 068-0448-6/068-2490-0



Assembly Instructions

Toll-free: 1-877-483-6759

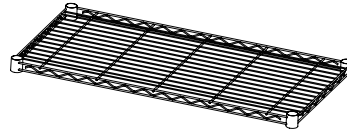
IMPORTANT: Please read this manual carefully before beginning assembly of this product. Keep this manual for future reference.

2

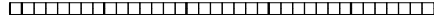
Product No. 068-0448-6/068-2490-0

Part List

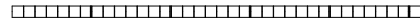
A
Shelf - 5



B
Top post - 4



C
Bottom post - 4



D
Tapered plastic sleeve - 40+2 extra



Assembly

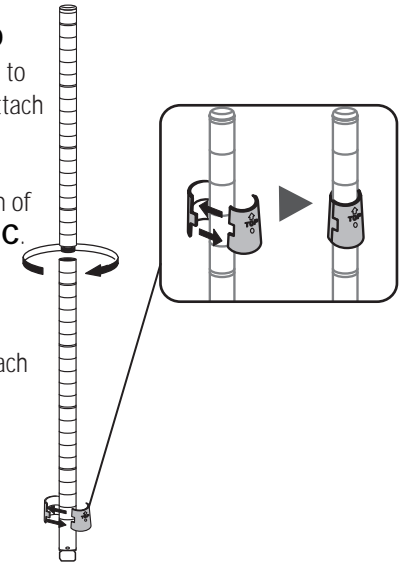
3

Product No. 068-0448-6/068-2490-0

Step 1

Requires **B,C,D**

Attach top post **B** to bottom post **C**. Attach a pair of tapered plastic sleeves **D** around the bottom of each bottom post **C**. Tapered plastic sleeves must be assembled at the same height on each post.



4

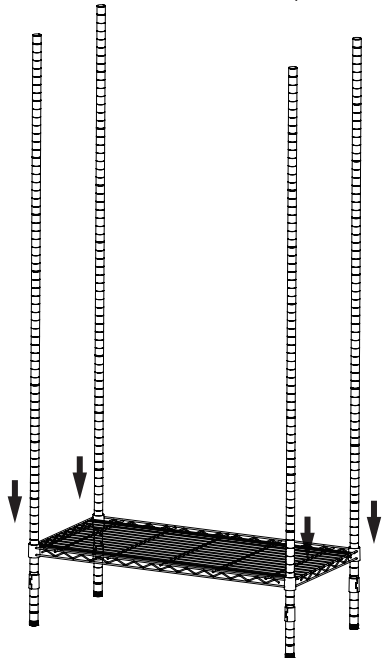
Product No. 068-0448-6/068-2490-0

Assembly

Step 2

Requires **A,D**

Slide shelf **A** onto top posts and push down towards the tapered plastic sleeves **D** at bottom of posts.



5

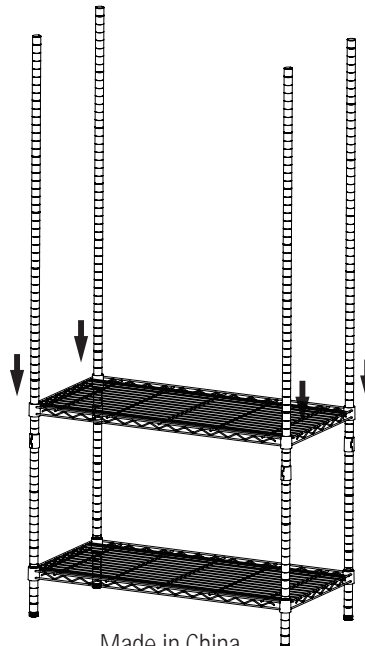
Product No. 068-0448-6/068-2490-0

Assembly

Step 3

Requires **A,D**

Attach additional pairs of tapered plastic sleeves **D** around the posts. Slide shelf **A** onto the tapered plastic sleeves **D**.



Made in China

6

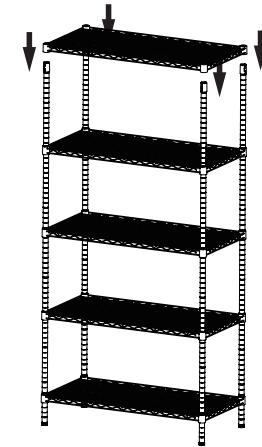
Product No. 068-0448-6/068-2490-0

Assembly

Step 4

Requires **A,D**

Attach additional pairs of tapered plastic sleeves **D** around the posts. Slide remaining shelf **A** onto the tapered plastic sleeves **D**.



Warning! To reduce the risk of serious injury, read the following safety instructions before assembling and using the product.

Caution! Always keep children under close supervision while they are using or around this product. Never leave children unattended.

Imported for Trileaf Distribution Trifeuil Toronto, Canada M4S 2B8

TIPPING RESTRAINT HARDWARE

There is one set of tipping restraint hardware included with this shelving unit. When properly installed, this restraint can help limit the risk of unexpected tipping of the unit. It is strongly recommended that this hardware is installed properly to limit the possibility of tipping due to slight tremors or bumps.

Full instructions for the installation of the tipping restraint hardware are printed on the back of the hardware bag. Please carefully read and follow these instructions to correctly install the tipping restraints.

“KEEP THESE INSTRUCTIONS FOR FURTHER REFERENCE”

**Your assembly should now be complete.
Thank you for your purchase.**

