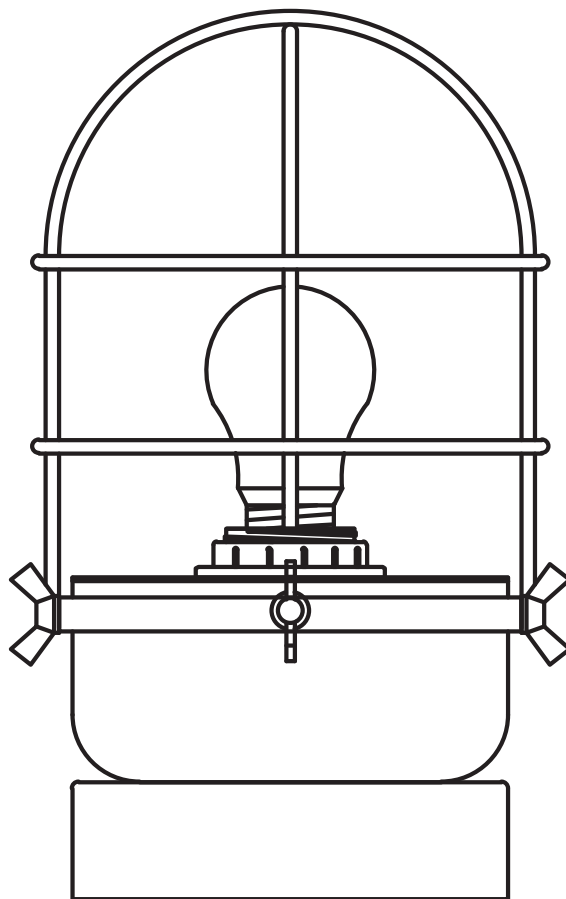


# CANVAS<sup>TM/MC</sup>

## STELLAN TABLE LAMP

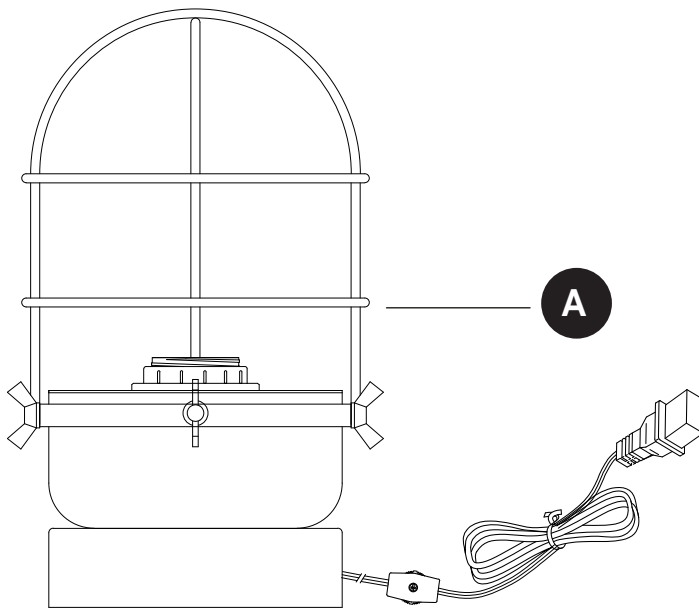
MODEL NO. 052-8383-6



### ASSEMBLY INSTRUCTIONS

IMPORTANT: Please read this manual carefully before attempting to assemble, operate or install the product, and save it for reference.

Package and Hardware Contents	2
Important Safety Instructions	3
Assembly Preparation	3
Assembly Instructions	4
Care and Maintenance/Troubleshooting	5
Warranty	5



PART	DESCRIPTION	QUANTITY
A	Lamp Base	1

## ▲ CAUTION

The following rules must be adhered to when assembling the product. If you have any doubts about how to install the product or if it fails to work properly, contact a local, licensed electrician. Failure to comply with these requirements could lead to an electric shock or fire, which could cause serious injury or fatality.

### Ensure:

The installer and/or user must read, understand and follow these instructions before installing the product. This product must be properly installed before it is used. If instructions are not followed, the manufacturer will not be held responsible for any problems or product malfunction. Failure to follow installation and/or operating instructions voids the warranty.

Make sure the lamp is disconnected before proceeding to the assembly.

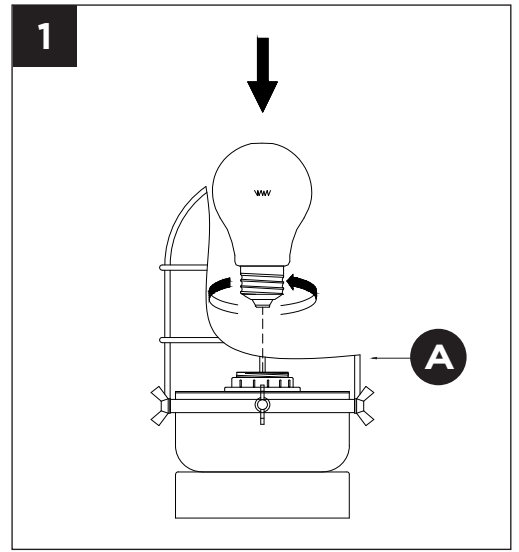
Before beginning assembly of this product, make sure all parts are present. Compare parts with package contents list and hardware contents list. If any part is missing or damaged, do not attempt to assemble, install or operate the product.

Place all parts from the box in a cleared area and position them on the floor in front of you. Remove all packing materials and place them back into the box. Do not dispose of the packing materials until assembly is complete. Read each step carefully before beginning any assembly and make sure you understand each step.

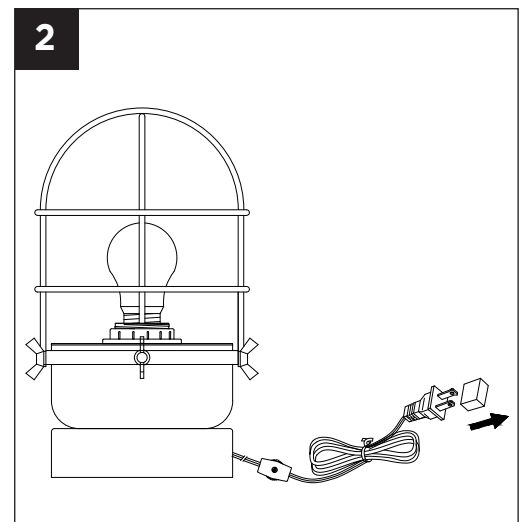
**No tools required for assembly.**

4 MODEL NO. 052-8383-6

1. Install the bulb. Use one 60 W (max.) E26 bulb (not included).



2. Connect the lamp to electrical power.



## CARE AND MAINTENANCE

- Shut off main power before cleaning light with damp cloth or window cleaner. Do not use abrasive cleansers.
- Bulb replacement: Use one 60 W (max.) E26 bulb or equivalent CFL.

## TROUBLESHOOTING

PROBLEM	POSSIBLE CAUSE	CORRECTIVE ACTION
Bulb won't light.	<ol style="list-style-type: none"> <li>1. Bulb is burned out.</li> <li>2. Power is off.</li> <li>3. Faulty wire connection.</li> <li>4. Faulty switch.</li> </ol>	<ol style="list-style-type: none"> <li>1. Replace the bulb.</li> <li>2. Check if power supply is on.</li> <li>3. Check wiring.</li> <li>4. Test or replace the switch.</li> </ol>
Fuse blows out or circuit breaker trips when light is turned on.	<ol style="list-style-type: none"> <li>1. Crossed wires or power wire is grounding out.</li> </ol>	<ol style="list-style-type: none"> <li>1a. Check the wiring connection.</li> <li>1b. Consult a qualified electrician.</li> </ol>

This CANVAS product carries a one (1) year warranty against defects in workmanship and materials.

Trileaf Distribution agrees to replace a defective product free of charge within the stated warranty period, when returned by the original purchaser with proof of purchase. This product is not guaranteed against wear or breakage due to misuse and /or abuse.

Made in China

Imported by

Trileaf Distribution Trifeuil Toronto, Canada M4S 2B8