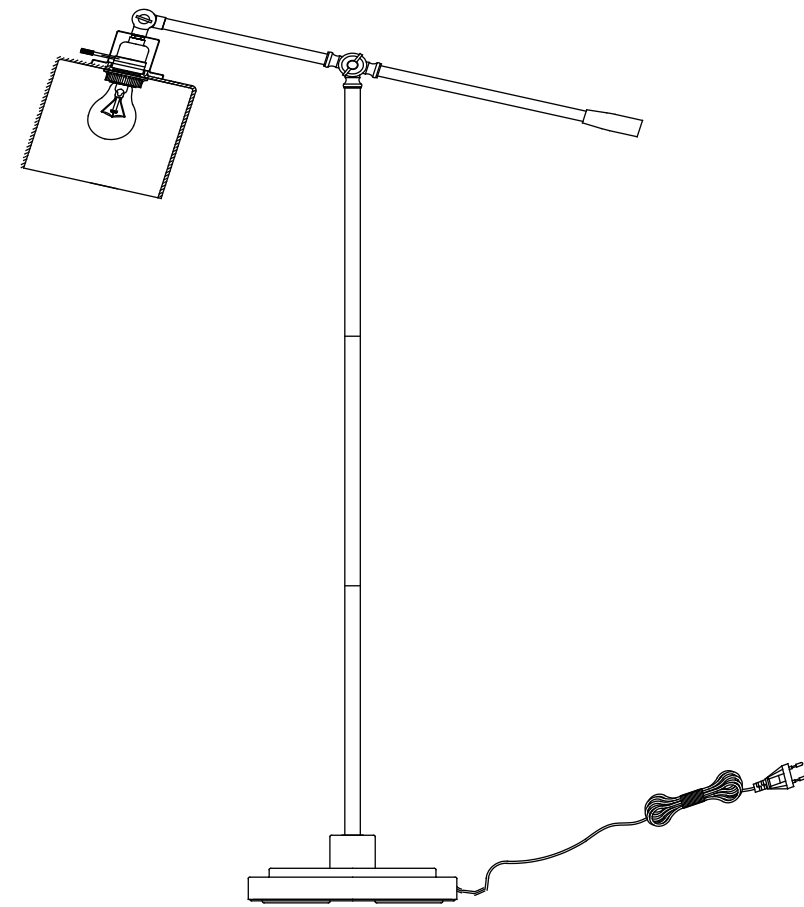


CANVAS™/MC

IND QUINN 55" FLOOR LAMP

MODEL NO. 052-7838-2



ASSEMBLY INSTRUCTIONS

IMPORTANT: Please read this manual carefully before beginning assembly of this product. Keep this manual for future reference.

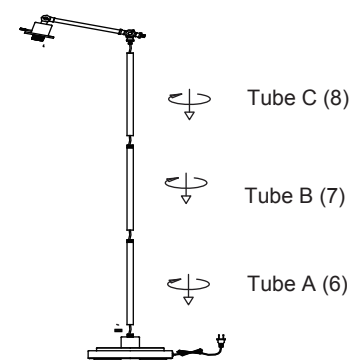
1

MODEL NO. 052-7838-2

CANVAS™/MC

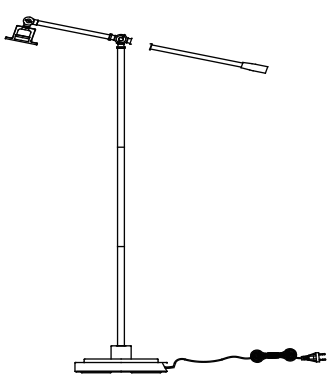
Step 1 - requires 1, 2, 6, 7, 8

Attach the tube A (6) onto the base (2). Then, in turn to screw the tube B (7), and tube C (8) clockwise to tighten. Screw the stem (1) into tube C (8) clockwise to tighten.



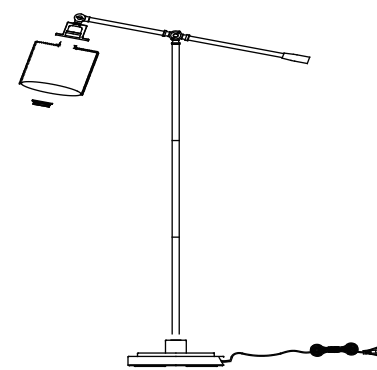
Step 2 - requires 1, 5

Thread counter balance handle stem (5) clockwise onto stem (1).



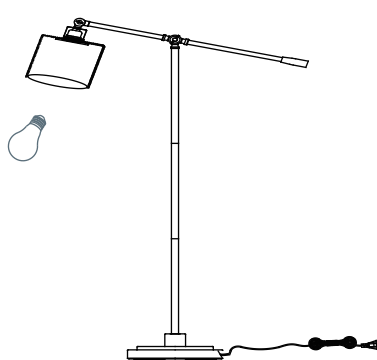
Step 3 -requires 1, 3, 4

Remove socket ring (3) from socket cup on the stem (1). Place the lampshade (4) onto socket cup, then secure with socket ring (3).



Step 3

Install light bulb (not included). Use one 60 W (max.) type A medium-base bulb.



4

MODEL NO. 052-7838-2

CANVAS™/MC

Floor of Contents	2
Parts List	3
Assembly	4
Warranty	5

MODEL NO. 052-7838-2

CANVAS™/MC

This for CANVAS™ product carries a one (1) year warranty against defects in workmanship and materials. Trileaf Distribution agrees to replace the defective product free of charge within the stated warranty period, when returned by the original purchaser with proof of purchase. This product is not guaranteed against wear or breakage due to misuse and/or abuse.

Made in China
Imported by
Trileaf Distribution Trifeuil Toronto, Canada M4S 2B8

2

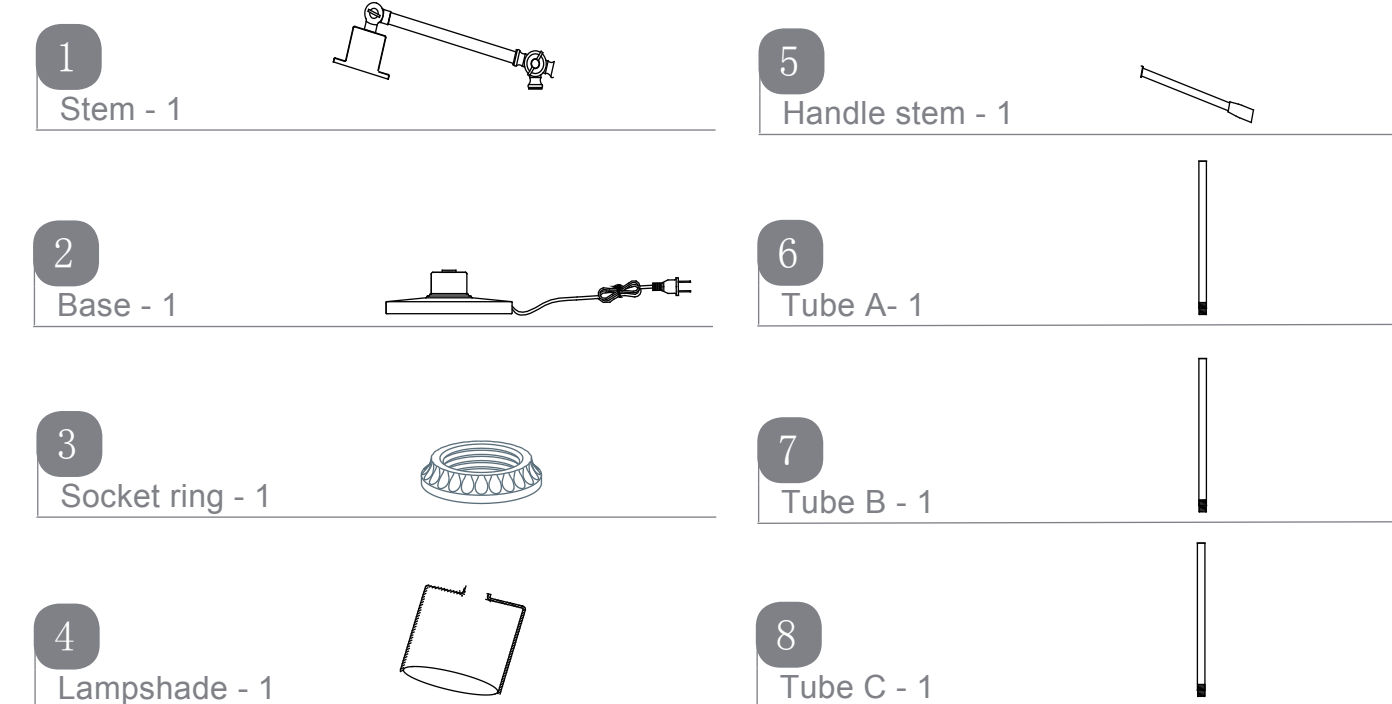
5

FLOOR OF CONTENTS

WARRANTY

MODEL NO. 052-7838-2

CANVAS™/MC



3

PARTS LIST