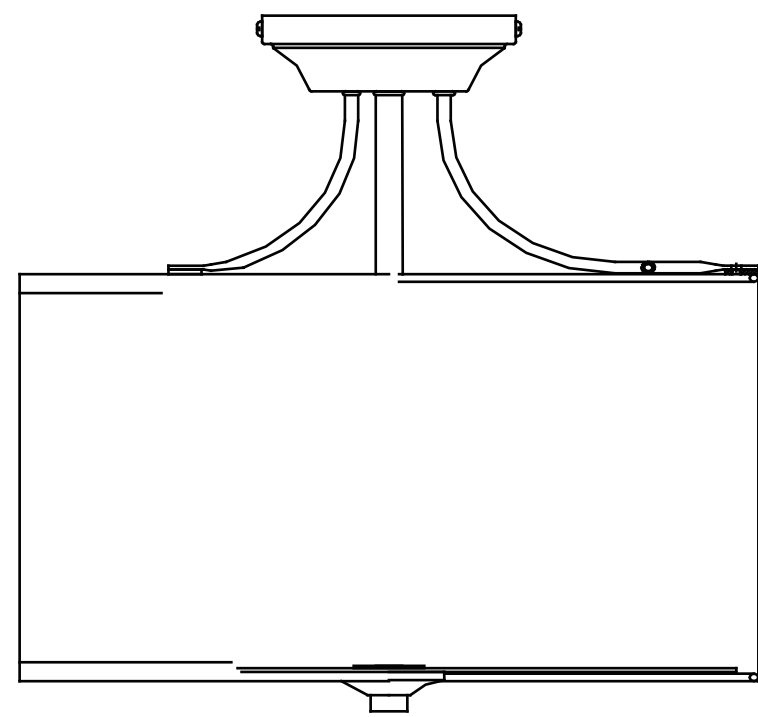


CANVAS™/MC

CAMILLA 2-LIGHT SEMI-FLUSH MOUNT

MODEL NO. 052-2670-8



ASSEMBLY INSTRUCTIONS

IMPORTANT: Please read this manual carefully before beginning assembly of this product. Keep this manual for future reference. All electrical connections must be in accordance with local and national electrical code standards. If you are unfamiliar with proper electrical wiring connections obtain the services of a qualified electrician.

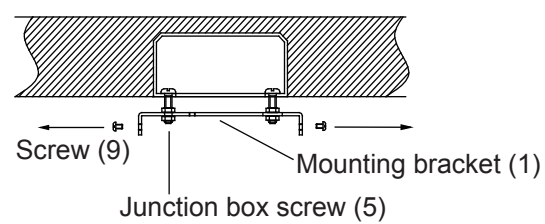
1

MODEL NO. 052-2670-8

CANVAS™/MC

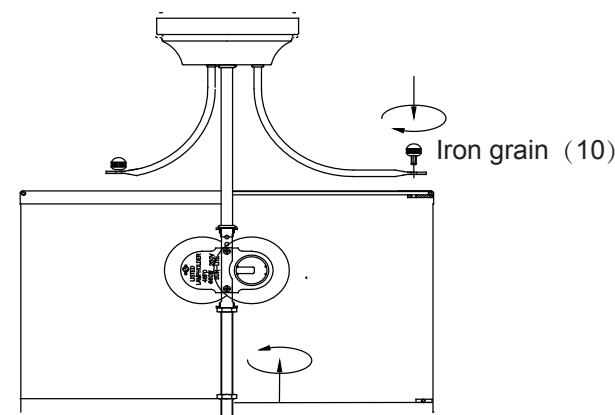
Step 1 - requires 1, 5, 9

Carefully unpack and lay all parts on a clean, level surface. Take mounting bracket (1) out of the assembly bag. Attach it to the junction box (not included) with junction box screws (5). Unsecure the screws (9) from the mounting bracket (1).



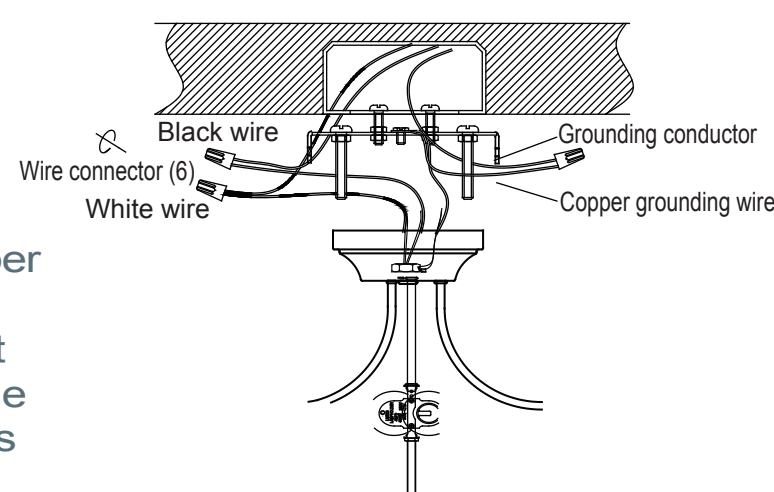
Step 2 - requires 10, 11

Align the holes of three pipes with holes on lampshade (11). Secure with the iron grains (10).



Step 3 - requires 1, 6

Make electrical connections using wire connectors (6). Connect the fixture white cord to the white wire of the supply circuit. Connect the fixture black cord to the black wire of the supply circuit. Connect the bare copper grounding wire from the fixture to the green screw on the mounting bracket (1) and the grounding conductor of the supply circuit. Secure wire connectors (6) with electrical tape.



4

MODEL NO. 052-2670-8

CANVAS™/MC

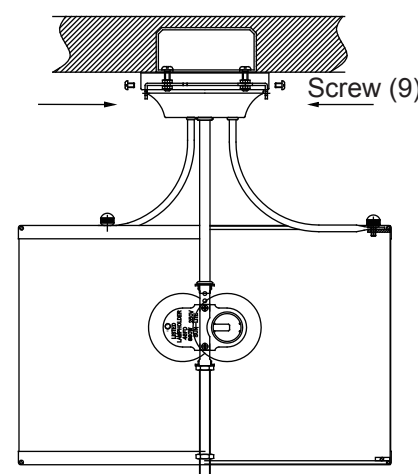
Table of Contents	2
Parts List	3
Assembly	4, 5
Warranty	6

MODEL NO. 052-2670-8

CANVAS™/MC

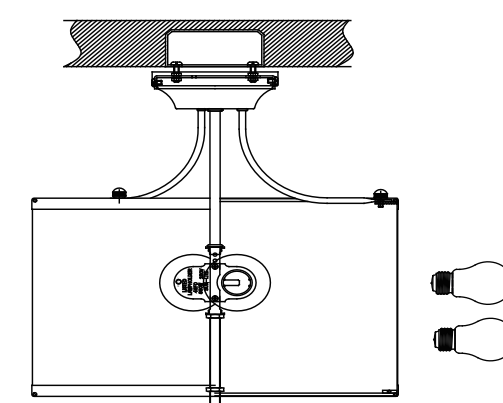
Step 4 - requires 1, 8, 9

Align the holes of mounting bracket (1) with holes on canopy (8). Secure with screws (9).



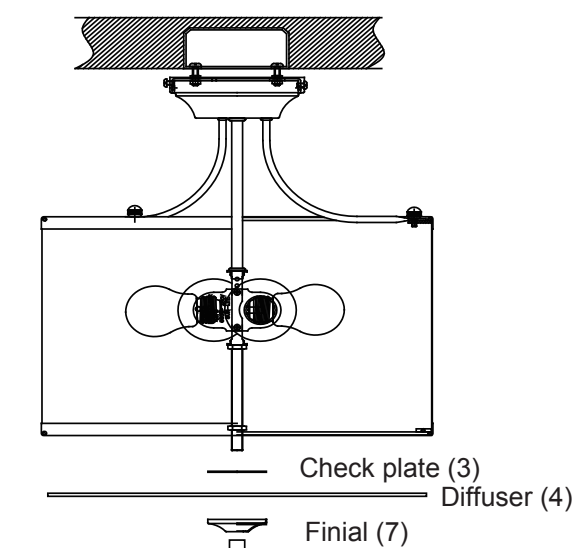
Step 5

Install light bulb (not included). Use two 60 W (max) A19 bulbs.



Step 6 - requires 2, 3, 4, 7

Place the check plate (3) and diffuser (4) over the support stem (2). Secure with the finial (7).



5

MODEL NO. 052-2670-8

CANVAS™/MC

1	Mounting bracket - 1	7	Finial - 1
2	Support stem - 1	8	Canopy - 1
3	Check plate - 1	9	Screw - 2
4	Diffuser - 1	10	Iron grain - 3
5	Junction box screw - 2	11	Lampshade - 1
6	Wire connector - 3		

MODEL NO. 052-2670-8

CANVAS™/MC

This CANVAS product carries a one (1) year warranty against defects in workmanship and materials. Trileaf Distribution agrees to replace the defective product free of charge within the stated warranty period, when returned by the original purchaser with proof of purchase. This product is not guaranteed against wear or breakage due to misuse and/or abuse.

Made in China
Imported by
Trileaf Distribution Trifeuil Toronto, Canada M4S 2B8

6